

Dell™ Latitude™ X200

Battery Charger

Chargeur de batterie

Carregador de Bateria

Cargador de baterías



Model SQC-Q10



www.dell.com | support.dell.com

Dell™ Latitude™ X200

Battery Charger



Notes, Notices, and Cautions



NOTE: A NOTE indicates important information that helps you make better use of your computer.



NOTICE: A NOTICE indicates either potential damage to hardware or loss of data and tells you how to avoid the problem.



CAUTION: A CAUTION indicates a potential for property damage, personal injury, or death.

Abbreviations and Acronyms

For a complete list of abbreviations and acronyms, see the computer *User's Guide* (depending on your operating system, double-click the **User's Guide** icon on your desktop or click the **Start** button, click **Help and Support Center**, and click **User and system guides**).

Information in this document is subject to change without notice.

© 2002 Dell Computer Corporation. All rights reserved.

Reproduction in any manner whatsoever without the written permission of Dell Computer Corporation is strictly forbidden.

Trademarks used in this text: *Dell*, the *DELL* logo, and *Latitude* are trademarks of Dell Computer Corporation; *Microsoft* and *Windows* are registered trademarks of Microsoft Corporation; *ENERGY STAR* is a registered trademark of the U.S. Environmental Protection Agency. As an ENERGY STAR Partner, Dell Computer Corporation has determined that this product meets the ENERGY STAR guidelines for energy efficiency.

Other trademarks and trade names may be used in this document to refer to either the entities claiming the marks and names or their products. Dell Computer Corporation disclaims any proprietary interest in trademarks and trade names other than its own.

Contents

CAUTION: Safety Instructions	5
General	5
Power	6
Battery	7
When Using Your Battery Charger	8
Battery Disposal	8
About Your Battery Charger	9
Top View	9
Side View	9
Bottom View	10
Checking the Battery Charge	10
Removing the Battery From the Computer	12
Attaching the Battery to the Battery Charger	13
Charging the Battery	14
Removing the Battery From the Battery Charger	15
Storing a Battery	15
Specifications	15
Regulatory Notices	17
FCC Notices (U.S. Only)	18
IC Notice (Canada Only)	20
CE Notice (European Union)	21
CE Mark Notice	22
ENERGY STAR® Compliance	22
Simplified Chinese Class A Warning Notice (China Only)	23

EN 55022 Compliance (Czech Republic Only)	24
VCCI Notice (Japan Only)	24
MIC Notice (Republic of Korea Only)	26
Polish Center for Testing and Certification Notice	28
BSMI Notice (Taiwan Only)	30
NOM Information (Mexico Only)	32
Limited Warranty and Return Policy	32

CAUTION: Safety Instructions

Use the following safety guidelines to help ensure your own personal safety and to help protect your computer and working environment from potential damage.

General

- These safety instructions relate to the interaction between the battery charger, battery, and AC adapter. Consult the *System Information Guide* for your computer for complete safety information on your computer.
- Use this battery charger only with the Dell battery module for which it is intended. Use with other than the approved module may increase the risk of fire or explosion.
- Do not attempt to service the battery charger yourself unless you are a trained service technician. Always follow installation instructions closely.
- If you use a power strip with your AC adapter, ensure that the total ampere rating of the products plugged in to the power strip does not exceed the ampere rating of the power strip.
- Do not push objects into air vents or openings of your computer. Doing so can cause fire or electric shock by shorting out interior components.
- Place the AC adapter in a ventilated area, such as a desk top or on the floor, when you use it to run the computer or to charge the battery. Do not cover the AC adapter with papers or other items that will reduce cooling; also, do not use the AC adapter inside a carrying case.
- The AC adapter may become hot during normal operation of your computer. Use care when handling the adapter during or immediately after operation.
- Do not allow your battery charger to operate with the base resting directly on exposed skin for extended periods of time. The surface temperature of the base will rise during normal operation (particularly when AC power is present). Allowing sustained contact with exposed skin can cause discomfort or, eventually, a burn.
- Do not use your battery charger in a wet environment, for example, near a bath tub, sink, or swimming pool or in a wet basement

CAUTION: Safety Instructions (*continued*)

- To help avoid the potential hazard of electric shock, do not connect or disconnect any cables or perform maintenance or reconfiguration of this product during an electrical storm. Do not use your battery charger during an electrical storm unless all cables have been disconnected and the computer is operating on battery power.
- Before you clean your battery charger, remove power. Clean your battery charger with a soft cloth dampened with water. Do not use liquid or aerosol cleaners, which may contain flammable substances.

Power

- Use only the Dell-provided AC adapter approved for use with this battery charger. Use of another AC adapter may cause a fire or explosion.
- Before you connect the battery charger to an electrical outlet, check the AC adapter voltage rating to ensure that the required voltage and frequency match the available power source.
- To remove the battery charger from all power sources, turn the computer off, remove the battery pack, and disconnect the AC adapter from the electrical outlet.
- To help prevent electric shock, plug the AC adapter and peripheral power cables into properly grounded power sources. These power cables may be equipped with three-prong plugs to provide an earth grounding connection. Do not use adapter plugs or remove the grounding prong from the power cable plug. If you use a power extension cable, use the appropriate type, two-prong or three-prong, to mate with the AC adapter power cable.
- Be sure that nothing rests on your AC adapter's power cable and that the cable is not located where it can be tripped over or stepped on.

CAUTION: Safety Instructions (*continued*)

- If you are using a multiple-outlet power strip, use caution when plugging the AC adapter's power cable into the power strip. Some power strips may allow you to insert the plug incorrectly. Incorrect insertion of the power plug could result in permanent damage to your computer, as well as risk of electric shock and/or fire. Ensure that the ground prong of the power plug is inserted into the mating ground contact of the power strip.

Battery

- Use only Dell battery modules that are approved for use with your computer. Use of other types may increase the risk of fire or explosion.
- Do not carry a battery pack in your pocket, purse, or other container where metal objects (such as car keys or paper clips) could short-circuit the battery terminals. The resulting excessive current flow can cause extremely high temperatures and may result in damage to the battery pack or cause fire or burns.
- The battery poses a burn hazard if you handle it improperly. Do not disassemble it. Handle a damaged or leaking battery pack with extreme care. If the battery is damaged, electrolyte may leak from the cells and may cause personal injury.
- Keep the battery away from children.
- Do not store or leave your computer or battery pack near a heat source such as a radiator, fireplace, stove, electric heater, or other heat-generating appliance or otherwise expose it to temperatures in excess of 60°C (140°F). When heated to excessive temperatures, battery cells could explode or vent, posing a risk of fire.
- Do not dispose of your computer's battery in a fire or with normal household waste. Battery cells may explode. Discard a used battery according to the manufacturer's instructions or contact your local waste disposal agency for disposal instructions. Dispose of a spent or damaged battery promptly.

When Using Your Battery Charger

Observe the following safe-handling guidelines to prevent damage to your battery charger:

- When setting up the battery charger for work, place it on a level surface.
- Protect your battery charger from environmental hazards such as dirt, dust, food, liquids, temperature extremes, and overexposure to sunlight.
- When you move your battery charger between environments with very different temperature and/or humidity ranges, condensation may form on or within the computer. To avoid damaging the battery charger, allow sufficient time for the moisture to evaporate before using the battery charger.



NOTICE: When taking the battery charger from low-temperature conditions into a warmer environment or from high-temperature conditions into a cooler environment, allow the battery charger to acclimate to room temperature before turning on power.

- When you disconnect a cable, pull on its connector on its strain-relief loop, not on the cable itself. As you pull out the connector, keep it evenly aligned to avoid bending any connector pins. Also, before you connect a cable make sure both connectors are correctly oriented and aligned
- If your battery charger gets wet or is damaged, follow the procedures described in “Solving Problems.” If, after following these procedures, you confirm that your battery charger is not operating properly, contact Dell (see “Getting Help” in your *User’s Guide* for the appropriate contact information).



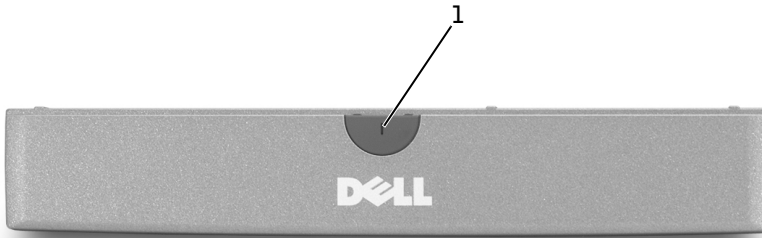
Battery Disposal

Your computer uses a lithium-ion battery and a nickel-metal hydride (NiMH) coin-cell battery. For instructions about replacing the lithium-ion battery in your computer, refer to the section about replacing the battery in your Dell computer documentation. The NiMH battery is a long-life battery, and it is very possible that you will never need to replace it. However, should you need to replace it, the procedure must be performed by an authorized service technician.

Do not dispose of the battery along with household waste. Contact your local waste disposal agency for the address of the nearest battery deposit site.

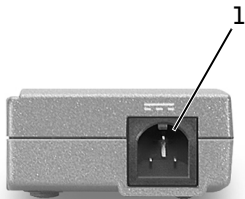
About Your Battery Charger

Top View



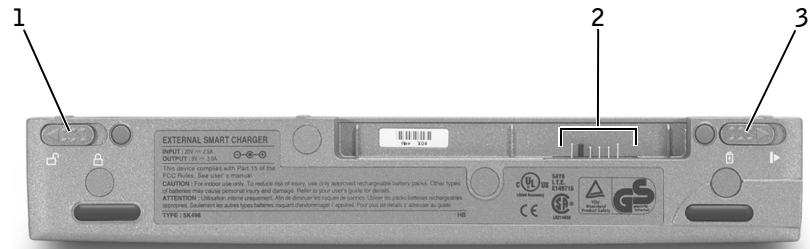
1 battery charger light

Side View



1 AC adapter connector

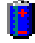
Bottom View



- | | |
|---|-------------------------------|
| 1 | battery charger lock latch |
| 2 | battery charger connector |
| 3 | battery charger latch release |

Checking the Battery Charge

You can check the battery charge before you remove the battery from the computer and attach it to the battery charger. You can also set power management options to alert you when the battery charge is low.

The Microsoft® Windows® power meter window and  icon, the battery charge gauge, and the low-battery warning provide information on the battery charge.

Power Meter


The Windows power meter indicates the remaining battery charge. To check the power meter:

Double-click the  icon in the taskbar, or:

- 1 Open the Control Panel.
- 2 Double-click the Power Options (or Power Management) icon to open the Power Options Properties window.

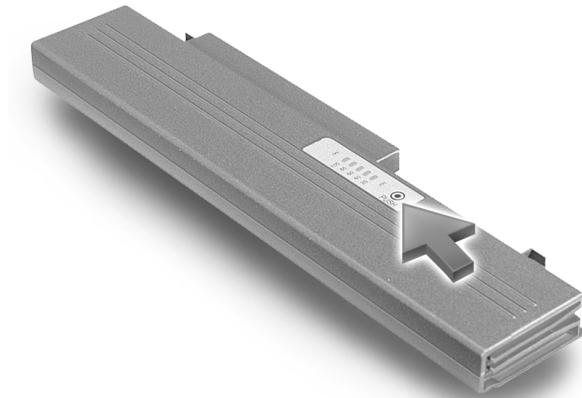
3 Click the **Power Meter** tab.

The **Power Meter** tab displays the current power source and amount of battery charge remaining.


If the computer is connected to an electrical outlet, the  icon appears.

Battery Charge Gauge

Before you attach the battery charger to the battery, press the status button on the battery charge gauge to illuminate the charge-level lights. Each light represents approximately 20 percent of the total battery charge. For example, if the battery has 80 percent of its charge remaining, four of the five lights are on. If no lights appear, the battery has no charge.



Low-Battery Warning

 **NOTICE:** To avoid losing or corrupting data, save your work immediately after a low-battery warning. Then connect the computer to an electrical outlet. If the battery runs completely out of power, hibernate mode begins automatically.

A pop-up window warns you when the battery charge falls below a certain percentage that is set in the **Power Options Properties** window. For more information on low-battery alarms, see “Power Management” in your online *User’s Guide*.

Removing the Battery From the Computer

➔ NOTICE: You cannot undock your computer while your computer is in standby mode or hibernate mode. If you choose to first undock the computer, and then put the computer in standby mode and swap batteries, you have up to 1 minute to safely complete the battery replacement before the computer shuts down and loses any unsaved data.

- 1** Ensure that the computer is turned off, in hibernate mode, or connected to an electrical outlet.
- 2** Remove the battery:
 - a** If the computer is docked, undock it.
 - b** Slide the battery lock latch on the bottom of the computer to the unlock position.
 - c** Slide and hold the battery latch release on the bottom of the computer, and then remove the battery from the bay.

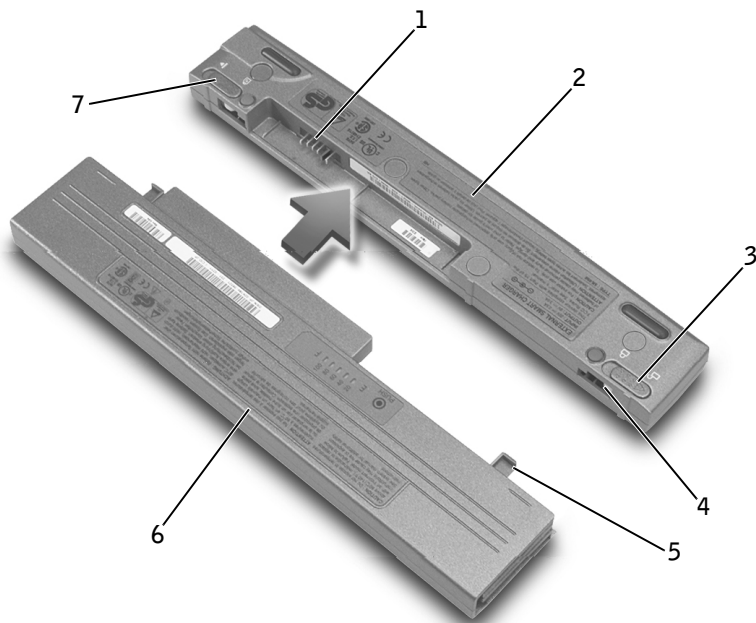


1 battery lock latch

2 battery latch release

Attaching the Battery to the Battery Charger

- 1 Align the bottom of the battery with the bottom of the battery charger.
- 2 Slide the battery into the battery charger connector, and slide the battery tabs into the battery charger slots.

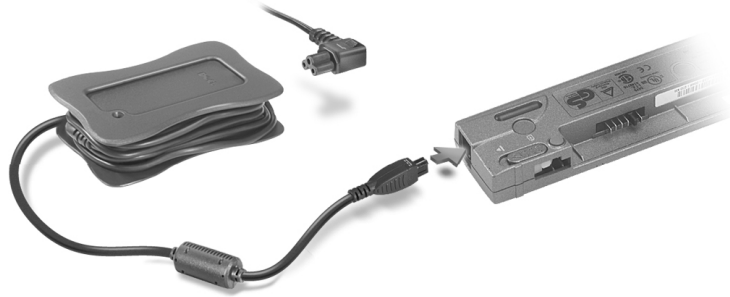


1	battery charger connector	5	battery tabs (2)
2	battery charger	6	battery
3	battery charger lock latch	7	battery charger latch release
4	battery charger slots (2)		

- 3 Slide the battery charger lock latch into the lock position.

Charging the Battery

- 1 Remove the battery from the computer and attach the battery to the battery charger (see "Removing the Battery From the Computer" and "Attaching the Battery to the Battery Charger").
- 2 Connect the AC adapter to the AC adapter connector on the battery charger and to the electrical outlet.



⚠ CAUTION: If you are using a multiple-outlet power strip, use caution when you plug the AC adapter power cable into the power strip. Some power strips may allow you to insert the plug incorrectly. Incorrect insertion of the power plug could result in permanent damage to your computer, as well as risk of electric shock and/or fire. Ensure that you insert the ground prong of the power plug into the mating ground contact of the power strip.

The 27-WHr battery should fully charge in approximately 1.5 hours; the 58-WHr battery should fully charge in about 3 hours. While the battery is charging, the battery charger light is green. When the battery is fully charged, the battery charger light blinks green. If errors occur while charging, the battery charger light blinks amber.

For information on resolving battery problems, see “Solving Problems” in your online *User’s Guide*.

Removing the Battery From the Battery Charger

NOTICE: When you disconnect the AC adapter from the battery charger, hold the adapter cable connector, not the cable itself, and pull firmly but gently to avoid damaging the cable.

- 1 Disconnect the AC adapter from the electrical outlet and the battery charger.
- 2 Slide the battery charger lock latch to the unlock position.
- 3 Slide and hold the battery charger latch release, and then gently pull the battery out of the battery charger connector.
- 4 Reinstall the battery in the computer:
 - a Slide the battery into the bay until the battery latch release clicks.
 - b Slide the battery lock latch into the lock position.

Storing a Battery

Remove any installed battery pack when you store your computer for an extended period of time. A battery discharges during prolonged storage. After a long storage period, recharge the battery fully before you run the computer on battery power.

Specifications

Battery Charger

Dimensions:

Depth	35 mm (1.4 inches)
Height	15 mm (0.6 inch)
Width	212 mm (8.3 inches)
Weight (typical)	0.06 kg (0.13 lb)

Battery Charger (continued)

Voltage:

Input	20 VDC
Output	9.0 VDC (nominal)

Charge current (maximum)	3.0 A with 58-WHr battery
	3.0 A with 27-WHr battery

Charge time (approximate)	3 hours with 58-WHr battery
	1.5 hours with 27-WHr battery

Temperature range:

Operating	0° to 40°C (32° to 104°F)
Storage	-65° to 150°C (-85° to 302°F)

AC Adapter

Input voltage	90–135 VAC and 164–264 VAC
---------------	----------------------------

Input current (maximum)	1.2 A
-------------------------	-------

Input frequency	47–63 Hz
-----------------	----------

Output current (maximum)	2.5 A
--------------------------	-------

Output power	50 W
--------------	------

Rated output voltage	20 VDC
----------------------	--------

Dimensions (without cord manager):

Height	27.5 mm (1.08 inches)
--------	-----------------------

Width	47 mm (1.85 inches)
-------	---------------------

Depth	95 mm (3.74 inches)
-------	---------------------

Weight (including DC cable)	0.41 kg (0.9 lb)
-----------------------------	------------------

Temperature range:

Operating	0° to 40°C (32° to 104°F)
-----------	---------------------------

Storage	-40° to 70°C (-40° to 158°F)
---------	------------------------------

Regulatory Notices

Electromagnetic Interference (EMI) is any signal or emission, radiated in free space or conducted along power or signal leads, that endangers the functioning of a radio navigation or other safety service or seriously degrades, obstructs, or repeatedly interrupts a licensed radio communications service. Radio communications services include but are not limited to AM/FM commercial broadcast, television, cellular services, radar, air-traffic control, pager, and Personal Communication Services (PCS). These licensed services, along with unintentional radiators such as digital devices, including computers, contribute to the electromagnetic environment.

Electromagnetic Compatibility (EMC) is the ability of items of electronic equipment to function properly together in the electronic environment. While this computer has been designed and determined to be compliant with regulatory agency limits for EMI, there is no guarantee that interference will not occur in a particular installation. If this equipment does cause interference with radio communications services, which can be determined by turning the equipment off and on, you are encouraged to try to correct the interference by one or more of the following measures:

- Reorient the receiving antenna.
- Relocate the computer with respect to the receiver.
- Move the computer away from the receiver.
- Plug the computer into a different outlet so that the computer and the receiver are on different branch circuits.

If necessary, consult a Dell Technical Support representative or an experienced radio/television technician for additional suggestions.

Dell computers are designed, tested, and classified for their intended electromagnetic environment. These electromagnetic environment classifications generally refer to the following harmonized definitions:

- Class A is typically for business or industrial environments.
- Class B is typically for residential environments.

Information Technology Equipment (ITE), including devices, expansion cards, printers, input/output (I/O) devices, monitors, and so on, that are integrated into or connected to the computer should match the electromagnetic environment classification of the computer.

A Notice About Shielded Signal Cables: Use only shielded cables for connecting devices to any Dell device to reduce the possibility of interference with radio communications services. Using shielded cables ensures that you maintain the appropriate EMC classification for the intended environment. For parallel printers, a cable is available from Dell. If you prefer, you can order a cable from Dell on the World Wide Web at accessories.us.dell.com/sna/category.asp?category_id=4117.

Most Dell computers are classified for Class B environments. However, the inclusion of certain options can change the rating of some configurations to Class A. To determine the electromagnetic classification for your computer or device, refer to the following sections specific for each regulatory agency. Each section provides country-specific EMC/EMI or product safety information.

FCC Notices (U.S. Only)

Most Dell computers are classified by the Federal Communications Commission (FCC) as Class B digital devices. To determine which classification applies to your computer, examine all FCC registration labels located on the bottom or back panel of your computer, on card-mounting brackets, and on the cards themselves. If any one of the labels carries a Class A rating, your entire computer is considered to be a Class A digital device. If *all* labels carry an FCC Class B rating as distinguished by either an FCC ID number or the FCC logo, (**FC**), your computer is considered to be a Class B digital device.

Once you have determined your computer's FCC classification, read the appropriate FCC notice. Note that FCC regulations provide that changes or modifications not expressly approved by Dell could void your authority to operate this equipment.

This device complies with Part 15 of the FCC Rules. Operation is subject to the following two conditions:

- This device may not cause harmful interference.
- This device must accept any interference received, including interference that may cause undesired operation.

Class A

This equipment has been tested and found to comply with the limits for a Class A digital device pursuant to Part 15 of the FCC Rules. These limits are designed to provide reasonable protection against harmful interference when the equipment is operated in a commercial environment. This equipment generates, uses, and can radiate radio frequency energy and, if not installed and used in accordance with the manufacturer's instruction manual, may cause harmful interference with radio communications. Operation of this equipment in a residential area is likely to cause harmful interference, in which case you will be required to correct the interference at your own expense.

Class B

This equipment has been tested and found to comply with the limits for a Class B digital device pursuant to Part 15 of the FCC Rules. These limits are designed to provide reasonable protection against harmful interference in a residential installation. This equipment generates, uses, and can radiate radio frequency energy and, if not installed and used in accordance with the manufacturer's instruction manual, may cause interference with radio communications. However, there is no guarantee that interference will not occur in a particular installation. If this equipment does cause harmful interference to radio or television reception, which can be determined by turning the equipment off and on, you are encouraged to try to correct the interference by one or more of the following measures:

- Reorient or relocate the receiving antenna.
- Increase the separation between the equipment and the receiver.
- Connect the equipment into an outlet on a circuit different from that to which the receiver is connected.
- Consult the dealer or an experienced radio/television technician for help.

The following information is provided on the device or devices covered in this document in compliance with FCC regulations:

- Model number: SQC-Q10
- Company name:

Dell Computer Corporation
One Dell Way
Round Rock, Texas 78682 USA

IC Notice (Canada Only)

Most Dell computers (and other Dell digital apparatus) are classified by the Industry Canada (IC) Interference-Causing Equipment Standard #3 (ICES-003) as Class B digital devices. To determine which classification (Class A or B) applies to your computer (or other Dell digital apparatus), examine all registration labels located on the bottom or the back panel of your computer (or other digital apparatus). A statement in the form of "IC Class A ICES-003" or "IC Class B ICES-003" will be located on one of these labels. Note that Industry Canada regulations provide that changes or modifications not expressly approved by Dell could void your authority to operate this equipment.

This Class B (or Class A, if so indicated on the registration label) digital apparatus meets the requirements of the Canadian Interference-Causing Equipment Regulations.

Cet appareil numérique de la Classe B (ou Classe A, si ainsi indiqué sur l'étiquette d'enregistrement) respecte toutes les exigences du Règlement sur le Matériel Brouilleur du Canada.

CE Notice (European Union)

Marking by the symbol **CE** indicates compliance of this Dell computer to the EMC Directive and the Low Voltage Directive of the European Union. Such marking is indicative that this Dell system meets the following technical standards:

- EN 55022 — "Information Technology Equipment — Radio Disturbance Characteristics — Limits and Methods of Measurement."
- EN 55024 — "Information Technology Equipment - Immunity Characteristics - Limits and Methods of Measurement."
- EN 61000-3-2 — "Electromagnetic Compatibility (EMC) - Part 3: Limits - Section 2: Limits for Harmonic Current Emissions (Equipment Input Current Up to and Including 16 A Per Phase)."
- EN 61000-3-3 — "Electromagnetic Compatibility (EMC) - Part 3: Limits - Section 3: Limitation of Voltage Fluctuations and Flicker in Low-Voltage Supply Systems for Equipment With Rated Current Up to and Including 16 A."
- EN 60950 — "Safety of Information Technology Equipment."

NOTE: EN 55022 emissions requirements provide for two classifications:

- Class A is for typical commercial areas.
- Class B is for typical domestic areas.

This Dell device is classified for use in a typical Class B domestic environment.

A "Declaration of Conformity" in accordance with the preceding directives and standards has been made and is on file at Dell Computer Corporation Products Europe BV, Limerick, Ireland.

CE Mark Notice

This equipment complies with the essential requirements of the European Union Directive 1999/5/EC.

Cet équipement est conforme aux principales caractéristiques définies dans la Directive européenne RTTE 1999/5/CE.

Die Geräte erfüllen die grundlegenden Anforderungen der RTTE-Richtlinie (1999/5/EG).

Questa apparecchiatura è conforme ai requisiti essenziali della Direttiva Europea R&TTE 1999/5/CE.

Este equipo cumple los requisitos principales de la Directiva 1999/5/CE de la UE, "Equipos de Terminales de Radio y Telecomunicaciones".

Este equipamento cumpre os requisitos essenciais da Directiva 1999/5/CE do Parlamento Europeu e do Conselho (Directiva RTT).

Ο εξοπλισμός αυτός πληροί τις βασικές απαιτήσεις της κοινοτικής οδηγίας EU R&TTE 1999/5/EK.

Deze apparatuur voldoet aan de noodzakelijke vereisten van EU-richtlijn betreffende radioapparatuur en telecommunicatie-eindapparatuur 1999/5/EG.

Deette udstyr oppfylde de Væsentlige krav i EU's direktiv 1999/5/EC om Radio- og teleterminaludstyr.

~~Deette utstyret er i overensstemmelse med hovedkravene i R&TTE-direktivet 1999/5/EC om radio- og teleterminaludstyr.~~

Utrustningen uppfyller kraven för EU-direktivet 1999/5/EC om ansluten utrustning och ömsesidigt erkännande av utrustningens överensstämmelse med R&TTE).

Ämälä laite vastaa EU:n radio- ja telepääteläitedirektiivin (EU R&TTE Directive 1999/5/EC) vaatimuksia.

ENERGY STAR® Compliance

Certain configurations of Dell™ computers comply with the requirements set forth by the Environmental Protection Agency (EPA) for energy-efficient computers. If the front panel of your computer bears the ENERGY STAR® Emblem, your original configuration complies with these requirements and all ENERGY STAR® power management features of the computer are enabled.

NOTE: Any Dell computer bearing the ENERGY STAR® Emblem is certified to comply with EPA ENERGY STAR® requirements as configured when shipped by Dell. Any changes you make to this configuration (such as installing additional expansion cards or drives) may increase the computer's power consumption beyond the limits set by the EPA's ENERGY STAR® Computers program.

y)

the regulatory

environment th
case the user m

声明

为 A 级产品，在生活环境中可能会造成无线电干扰。

EN 55022 Compliance (Czech Republic Only)

This device belongs to Class B devices as described in EN 55022, unless it is specifically stated that it is a Class A device on the specification label. The following applies to devices in Class A of EN 55022 (radius of protection up to 30 meters). The user of the device is obliged to take all steps necessary to remove sources of interference to telecommunication or other devices.

Pokud není na typovém štítku počítače uvedeno, že spadá do třídy A podle EN 55022, spadá automaticky do třídy B podle EN 55022. Pro zařízení zařazená do třídy A (ochranné pásmo 30m) podle EN 55022 platí následující. Dojde-li k rušení telekomunikačních nebo jiných zařízení, je uživatel povinen provést taková opatření, aby rušení odstranil.

VCCI Notice (Japan Only)

Most Dell computers are classified by the Voluntary Control Council for Interference (VCCI) as Class B information technology equipment (ITE). However, the inclusion of certain options can change the rating of some configurations to Class A. ITE, including devices, expansion cards, printers, input/output (I/O) devices, monitors, and so on, integrated into or connected to the computer should match the electromagnetic environment classification (Class A or B) of the computer.

To determine which classification applies to your computer, examine the regulatory labels/markings (see "VCCI Class A ITE Regulatory Mark" and "VCCI Class B ITE Regulatory Mark") located on the bottom or back panel of your computer. Once you have determined your computer's VCCI classification, read the appropriate VCCI notice.

Class A ITE

この装置は、情報処理装置等電波障害自主規制協議会 (VCCI) の基準に基づくクラス A 情報技術装置です。この装置を家庭環境で使用すると電波妨害を引き起こすことがあります。この場合には使用者が適切な対策を講ずるよう要求されることがあります。

This is a Class A product based on the standard of the Voluntary Control Council for Interference (VCCI) for information technology equipment. If this equipment is used in a domestic environment, radio disturbance may arise. When such trouble occurs, the user may be required to take corrective actions.

VCCI Class A ITE Regulatory Mark

If the regulatory label includes the following marking, your computer is a Class A product:

VCCI

Class B ITE

この装置は、情報処理装置等電波障害自主規制協議会 (VCCI) の基準に基づくクラス B 情報技術装置です。この装置は家庭環境で使用することを目的としていますが、ラジオやテレビジョン受信機に近接して使用されると、受信障害を引き起こすことがあります。取扱説明書に従って正しい取り扱いをしてください。

This is a Class B product based on the standard of the Voluntary Control Council for Interference (VCCI) for information technology equipment. If this equipment is used near a radio or television receiver in a domestic environment, it may cause radio interference. Install and use the equipment according to the instruction manual.

VCCI Class B ITE Regulatory Mark

If the regulatory label includes the following marking, your computer is a Class B product:



MIC Notice (Republic of Korea Only)

To determine which classification (Class A or Class B) applies to your computer (or other Dell digital device), examine the label of the Republic of Korean Ministry of Information and Communications (MIC) certification labels located on your computer (or other Dell digital device). The MIC label may be located separately from the other regulatory markings applied to your product. Line two of the label identifies the emissions class for the product—"(A)" for Class A products or "(B)" for Class B products.

NOTE: MIC emissions requirements provide for two classifications:

- Class A devices are for business purposes.
- Class B devices are for nonbusiness purposes.

Class A Device

	이 기기는 업무용으로 전자파적합등록을 한 기기이오니 판매자 또는 사용자는 이 점을 주의하시기 바랍니다.

Please note that this device has been approved for business purposes with regard to electromagnetic interference. If you find that this device is not suitable for your use, you may exchange it for a nonbusiness-purpose device.

MIC Class A Regulatory Label

If the regulatory label includes the following marking, your computer is a Class A product:



1. 기기의 명칭(모델명):
2. 인증번호:(A)
3. 인증받은 자의 상호:
4. 제조년월일:
5. 제조자/제조국가:

Class B Device

기종별	사용자 안내문
B급 기기 (가정용 정보통신기기)	이 기기는 가정용으로 전자파적합등록을 한 기기로서 주거지역에서는 물론 모든 지역에서 사용할 수 있습니다.

Please note that this device has been approved for nonbusiness purposes and may be used in any environment, including residential areas.

MIC Class B Regulatory Label

If the regulatory label includes the following marking, your computer is a Class B product.



1. 기기의 명칭(모델명):
2. 인증번호:(B)
3. 인증받은 자의 상호:
4. 제조년월일:
5. 제조자/제조국가:

Pozostałe instrukcje bezpieczeństwa

- Nie należy używać wtyczek

BSMI Notice (Taiwan Only)

BSMI 通告 (僅限於台灣)

位裝置。但是，使用大多數的 Dell 電腦系統被 BSMI (經濟部標準檢驗局) 劃分為乙類數位裝置。請檢查所某些選件會使有些組態的等級變成甲類。若要確定您的電腦系統 BSMI 註冊標籤。如果其有位於電腦底部或背面板、擴充卡安裝托架，以及擴充卡上的 BSMI 的檢磁號碼標籤，中有一甲類標籤，即表示您的系統為甲類數位裝置。如果只有 BSMI 則表示您的系統為乙類數位裝置。

BSMI 通告規定凡是未一旦確定了系統的 BSMI 等級，請閱讀相關的 BSMI 通告。請注意，失去此設備的使用權。經 Dell Computer Corporation 明確批准的擅自變更或修改，將導致您失

項條件： 此裝置符合 BSMI (經濟部標準檢驗局) 的規定，使用時須符合以下兩

- 此裝置不會產生有害干擾。
- 此裝置必須能接受所接收到的干擾，包括可能導致無法正常作

業的干擾。

甲類

的限制規定。這些限制設備經測試證明符合 BSMI (經濟部標準檢驗局) 之甲類數位裝置防止有害的干擾。此制的目的是為了在商業環境中使用此設備時，能提供合理的保護以冊來安裝和使用，可設備會產生、使用並散發射頻能量；如果未遵照製造廠商的指導手能會干擾無線電通訊。請勿在住宅區使用此設備。

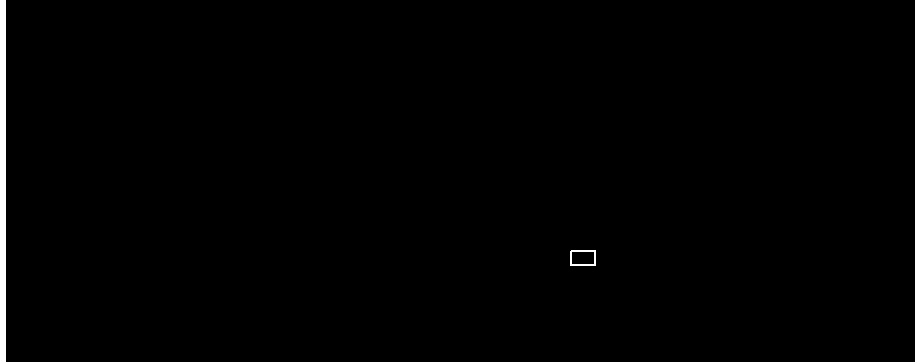
，
會

警告使用者：

這是甲類的資訊產品，在居住的環境中使用時可能會造成射頻干擾，在這種情況下，使用者被要求採取某些適當的對策。

乙類

此設備經測試證明符合 BSMI (經濟部標準檢驗局) 之乙類數位裝置的限制規定。這些限



NOM Information (Mexico Only)

The following information is provided on the device(s) described in this document in compliance with the requirements of the official Mexican standards (NOM):

Exporter:	Dell Computer Corporation One Dell Way Round Rock, TX 78682
Importer:	Dell Computer de México, S.A. de C.V. Paseo de la Reforma 2620 - 11° Piso Col. Lomas Altas 11950 México, D.F.
Ship to:	Dell Computer de México, S.A. de C.V. al Cuidado de Kuehne & Nagel de México S. de R.I. Avenida Soles No. 55 Col. Peñon de los Baños 15520 México, D.F.
Model number:	SQC-Q10
Supply voltage:	100–240 VAC
Frequency:	50–60 Hz
Current Consumption:	1.2 A
Output voltage:	20 VDC
Output current:	2.5 A

Limited Warranty and Return Policy

Dell Computer Corporation ("Dell") manufactures its hardware products from parts and components that are new or equivalent to new in accordance with industry-standard practices. For information about the Dell limited warranty for your computer, see the System Information Guide.

Dell™ Latitude™ X200

Chargeur de batterie



Remarques, avis et précautions



REMARQUE : Une REMARQUE fournit des informations importantes qui vous aident à mieux utiliser votre ordinateur.



AVIS : Un AVIS vous avertit d'un risque de dommage matériel ou de perte de données et vous indique comment éviter le problème.



PRÉCAUTION : Une PRÉCAUTION indique un risque potentiel d'endommagement du matériel, de blessure corporelle ou de mort.

Abréviations et acronymes

Pour obtenir une liste complète des abréviations et des acronymes, reportez-vous au Guide d'utilisation de votre ordinateur (en fonction du système d'exploitation installé sur votre ordinateur, double-cliquez sur l'icône **User's Guide (Guide d'utilisation)** située sur le bureau ou cliquez sur le bouton **Start (Démarrer)** et cliquez successivement sur **Help and Support (Aide et support)** et **User and system guides (Guides de l'utilisateur et du système)**.

**Les informations de ce document sont sujettes à modification sans préavis.
© 2002 Dell Computer Corporation. Tous droits réservés.**

Toute reproduction sans l'autorisation écrite de Dell Computer Corporation est strictement interdite.

Marques utilisées dans ce document : *Dell*, le logo *DELL*, *Latitude* et *TrueMobile* sont des marques de Dell Computer Corporation ; *Microsoft* et *Windows* sont des marques déposées de Microsoft Corporation ; *ENERGY STAR* est une marque déposée de l'agence EPA (Environmental Protection Agency). En tant que partenaire du programme ENERGY STAR, Dell Computer Corporation a fait en sorte que ce produit réponde aux normes définies par ce programme en matière d'optimisation de l'énergie.

D'autres marques et noms commerciaux peuvent être utilisés dans ce document pour faire référence aux entités se réclamant de ces marques et de ces noms ou à leurs produits. Dell Computer Corporation dénie tout intérêt propriétaire aux marques et aux noms commerciaux autres que les siens.

Sommaire

PRÉCAUTION : Consignes de sécurité	37
Généralités	37
Alimentation	38
Batterie	39
Lors de l'utilisation de votre chargeur de batterie	40
Mise au rebus de la batterie	40
À propos de votre chargeur de batterie	41
Vue du dessus	41
Vue de côté	41
Vue de dessous	42
Vérification de la charge de la batterie	42
Retrait de la batterie de votre ordinateur	44
Raccordement de la batterie au chargeur de batterie	45
Recharge de la batterie	46
Retrait de la batterie de du chargeur de batterie	47
Stockage d'une batterie	47
Caractéristiques	47
Réglementations	49
Réglementation IC (Canada seulement)	51
Conformité ENERGY STAR®	51
Garantie limitée et règle de retour	52

PRÉCAUTION : Consignes de sécurité

Utilisez les consignes de sécurité suivantes pour vous aider à protéger votre ordinateur de dommages éventuels et pour garantir votre sécurité personnelle.

Généralités

- Ces instructions de sécurité concernent les liens entre le chargeur de la batterie, la batterie et l'adaptateur CC/CA. Consultez le *Guide d'information sur le système* de votre ordinateur pour plus d'informations de sécurité.
- Utilisez cette batterie uniquement avec le module de batterie Dell pour lequel elle est conçue. L'utilisation d'autres types de modules peut présenter un risque d'incendie ou d'explosion.
- N'essayez pas de réparer la batterie vous-même à moins que vous ne soyez un technicien qualifié. Suivez toujours scrupuleusement les instructions d'installation.
- Si vous raccordez une rallonge à votre adaptateur CA/CC, assurez-vous que l'intensité totale du courant drainé par tous les appareils raccordés à cette rallonge ne dépasse pas la limite de cette dernière.
- N'insérez pas d'objets dans les orifices d'aération ou dans les ouvertures de votre ordinateur. Cela risquerait de provoquer un incendie ou un choc électrique dû à un court-circuit des composants internes.
- L'adaptateur CA/CC doit se trouver dans une zone aérée, par exemple sur un bureau ou sur le sol, lorsqu'il est utilisé pour alimenter l'ordinateur ou pour charger la batterie. Ne recouvrez pas l'adaptateur CA/CC de papiers ou autres objets susceptibles d'entraver le refroidissement. De même, n'utilisez pas l'adaptateur CA/CC dans une valise de transport.
- L'adaptateur CA/CC peut chauffer en cours d'utilisation de votre ordinateur. Faites donc très attention lorsque vous manipulez l'adaptateur pendant ou après son fonctionnement.
- Évitez de poser votre chargeur de batterie en fonctionnement à même la peau pendant une période prolongée. La température augmente sur la surface de la base pendant le fonctionnement normal de l'ordinateur (notamment s'il est alimenté par le secteur). Le contact prolongé avec la peau peut provoquer inconfort ou brûlure.
- N'utilisez pas votre chargeur de batterie dans un environnement humide, par exemple près d'une baignoire, d'un évier, d'une piscine ou dans un sous-sol humide.

PRÉCAUTION : Consignes de sécurité (suite)

- Pour éviter tout risque de décharge électrique, n'effectuez aucun branchement ou débranchement, ni aucune opération de maintenance ou de reconfiguration de ce produit pendant un orage. N'utilisez pas votre chargeur de batterie pendant un orage, à moins qu'il n'ait été déconnecté de tous ses câbles et qu'il fonctionne sur batterie.
- Avant de nettoyer votre chargeur de batterie, mettez-le hors tension. Nettoyez votre chargeur de batterie avec un tissu doux et humidifié avec de l'eau. N'utilisez pas de liquide ni d'aérosol nettoyeurs, ceux-ci peuvent contenir des substances inflammables.

Alimentation

- Utilisez uniquement l'adaptateur CA/CC fourni par Dell et homologué pour ce chargeur de batterie. L'utilisation d'un autre adaptateur CA/CC peut provoquer un incendie ou une explosion.
- Avant de raccorder le chargeur de batterie à une prise électrique, assurez-vous que la tension du secteur est compatible avec la tension d'entrée de l'adaptateur de CA/CC.
- Pour mettre le chargeur de batterie totalement hors tension, éteignez-le, retirez sa batterie et débranchez l'adaptateur CA/CC de la prise de courant.
- Pour éviter tout risque de décharge électrique, branchez l'adaptateur CA/CC et les cordons d'alimentation de l'ordinateur et de ses périphériques sur des prises possédant un circuit de mise à la terre adéquat. Il se peut que ces câbles d'alimentation soient équipés de prises à trois broches afin de fournir une mise à la terre. N'utilisez pas les fiches intermédiaires ou ne retirez pas la broche de masse d'un câble. Si vous utilisez une rallonge électrique, veillez à ce qu'elle comporte des prises à deux ou trois broches, afin de pouvoir la raccorder au câble d'alimentation de l'adaptateur CA/CC.
- Assurez-vous que rien ne repose sur le cordon d'alimentation de l'adaptateur CA/CC et que ce cordon n'est pas placé dans un endroit où l'on pourrait marcher ou trébucher dessus.
- Si vous utilisez une barrette d'alimentation multiprise, soyez prudent lorsque vous y raccordez le cordon de l'adaptateur CA/CC. Certaines rampes d'alimentation peuvent ne pas empêcher l'insertion d'une prise de façon incorrecte. L'insertion incorrecte de la prise de courant peut provoquer un dommage irréparable sur votre ordinateur, ainsi qu'un risque de choc électrique et/ou d'incendie. Assurez-vous que le contact de mise à la terre de la prise de courant est inséré dans le contact de mise à la terre correspondant de la rampe d'alimentation.

PRÉCAUTION : Consignes de sécurité (suite)

Batterie

- Utilisez uniquement des modules de batterie homologués pour votre ordinateur. L'utilisation d'autres types de modules peut présenter un risque d'incendie ou d'explosion.
- Ne transportez pas de batterie d'ordinateur dans votre poche, dans votre sac ou dans tout autre conteneur contenant également des objets métalliques (clés ou trombones, par exemple) susceptibles de court-circuiter les bornes de la batterie. L'excès de flux de courant qui en résulterait pourrait entraîner des températures extrêmement élevées et provoquer ainsi des dommages sur la conception de la batterie ou provoquer une flamme ou des brûlures.
- En cas de traitement impropre, la batterie représente un danger de brûlure. Ne démontez pas la batterie. Manipulez les batteries endommagées ou percées avec une extrême précaution. Lorsqu'une batterie est endommagée, des électrolytes peuvent fuir des cellules et provoquer des dommages corporels.
- Conservez la batterie hors de portée des enfants.
- Ne rangez pas et ne laissez pas votre ordinateur ou votre batterie près d'une source de chaleur telle qu'un radiateur, une cheminée, une poêle, un appareil de chauffage électrique ou tout autre appareil générateur de chaleur et ne l'exposez pas à des températures supérieures à 60°C (140°F). Lorsque les batteries atteignent une température excessive, les cellules de la batterie peuvent exploser ou imploser, représentant alors un risque d'incendie.
- Ne jetez pas la batterie de votre ordinateur au feu ni avec les ordures ménagères. Les cellules de la batterie risquent d'exploser. Débarrassez-vous de la batterie usagée selon les instructions du fabricant ou contactez votre entreprise locale de ramassage des ordures afin de connaître les instructions de mise au rebut. Débarrassez-vous rapidement d'une batterie usagée ou endommagée.

Lors de l'utilisation de votre chargeur de batterie

Suivez les consignes de sécurité suivantes afin d'éviter d'endommager votre chargeur de batterie :

- Lorsque vous installez le chargeur de batterie pour travailler, placez-le sur une surface plane.
 - Protégez le chargeur de batterie des dangers que représentent la saleté, la poussière, la nourriture, les liquides, des températures extrêmes ou une surexposition au soleil.
 - Lorsque vous transférez votre chargeur de batterie d'un environnement à un autre avec des degrés de température et/ou d'humidité très différents, de la condensation peut se former sur l'ordinateur ou à l'intérieur de celui-ci. Pour éviter d'endommager le chargeur de batterie, patientez suffisamment pour que cette humidité s'évapore avant d'utiliser la machine.
- ➔ AVIS :** Lorsque vous faites passer le chargeur de batterie d'un milieu à basse température à un milieu plus chaud, ou vice versa, laissez le chargeur s'acclimater à la température ambiante avant de l'allumer.
- Lorsque vous débranchez un câble, tirez sur le connecteur ou sur la boucle prévue à cet effet, mais jamais sur le câble lui-même. Si vous tirez sur l'extrémité connecteur, maintenez ce dernier correctement aligné, afin d'éviter tout risque de torsion des broches. Pour la même raison, lors du raccordement d'un câble, vérifiez bien l'orientation et l'alignement des deux connecteurs.
 - Si votre chargeur de batterie est mouillé ou endommagé, suivez les procédures décrites dans la section « Résolution des problèmes ». Si, après avoir effectué ces procédures, vous constatez que votre chargeur de batterie ne fonctionne pas correctement, contactez Dell (reportez-vous à la section « Obtenir de l'aide » du *Guide d'utilisation* en ligne pour obtenir les contacts appropriés).



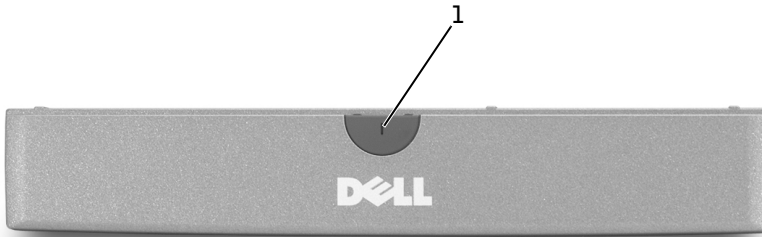
Mise au rebut de la batterie

Votre ordinateur utilise une batterie au lithium-ion et une pile bouton à l'hydrure d'alliage de nickel (NiMH). Pour obtenir des instructions sur le remplacement de la batterie au lithium-ion de votre ordinateur, consultez la section consacrée au remplacement des batteries dans la documentation de votre ordinateur Dell. La batterie NiMH est une batterie longue durée et il est fort probable que vous n'ayez jamais besoin de la remplacer. Si, toutefois, vous devez la remplacer, adressez-vous à un technicien de maintenance autorisée, qui est le seul habilité à effectuer cette opération.

Ne jetez pas la batterie avec les ordures ménagères. Contactez service municipal de traitement des déchets pour connaître l'adresse du site de dépôt de batteries le plus proche de votre domicile.

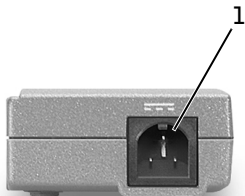
À propos de votre chargeur de batterie

Vue du dessus



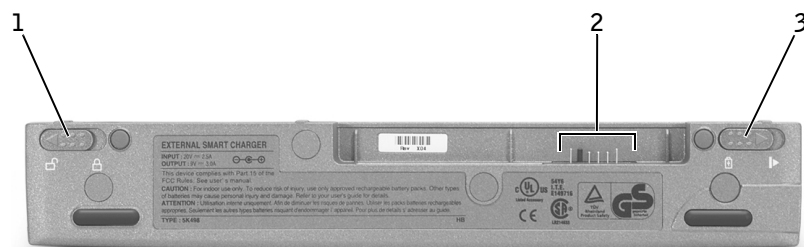
1 Voyant du chargeur de batterie

Vue de côté



1 Connecteur de l'adaptateur CA/CC


Vue de dessous



- | | |
|---|--|
| 1 | Loquet de verrouillage du chargeur de batterie |
| 2 | Connecteur du chargeur de batterie |
| 3 | Déclencheur du loquet du chargeur de batterie |

Vérification de la charge de la batterie

Vous pouvez vérifier le niveau de charge de votre batterie avant de la retirer de votre ordinateur et la raccorder au chargeur. Vous pouvez également définir des options de gestion de l'alimentation afin que l'ordinateur vous alerte lorsque le niveau de charge de la batterie est bas.

La fenêtre Jauge de Microsoft® Windows® et l'icône , la jauge de charge de la batterie et l'alerte en cas de niveau de batterie faible fournissent des informations sur le niveau de charge de la batterie.

Jauge


La jauge Windows indique la charge de batterie restante. Pour vérifier la jauge :

Double-cliquez sur l'icône  de la barre des tâches ou :

- 1 Ouvrez le **Panneau de configuration**.
- 2 Double-cliquez sur l'icône **Power Options (Options d'alimentation)** (ou **Power Management (Gestion de l'alimentation)**) pour ouvrir la fenêtre **Power Options Properties (Propriétés des options d'alimentation)**.

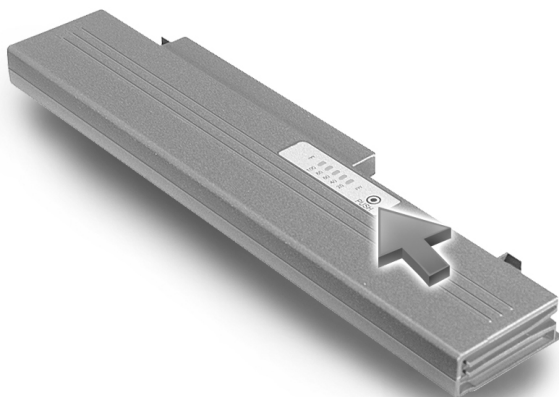
3 Cliquez sur l'onglet **Power Meter (Jauge)**.

L'onglet **Power Meter (Jauge)** affiche la source d'alimentation courante et la charge restante de la batterie.


Si l'ordinateur est connecté à une prise électrique, l'icône  apparaît.

Indicateur de charge de la batterie

Avant de raccorder la batterie au chargeur, appuyez sur le bouton d'état situé sur la jauge de charge de la batterie afin d'allumer les voyants de niveau de charge. Chaque voyant représente approximativement 20 % de la charge totale de la batterie. S'il reste, par exemple, 80 % de la charge de la batterie, quatre voyants sur cinq s'allument. Si aucun voyant ne s'allume, la batterie est complètement déchargée.



Alerte niveau de batterie faible

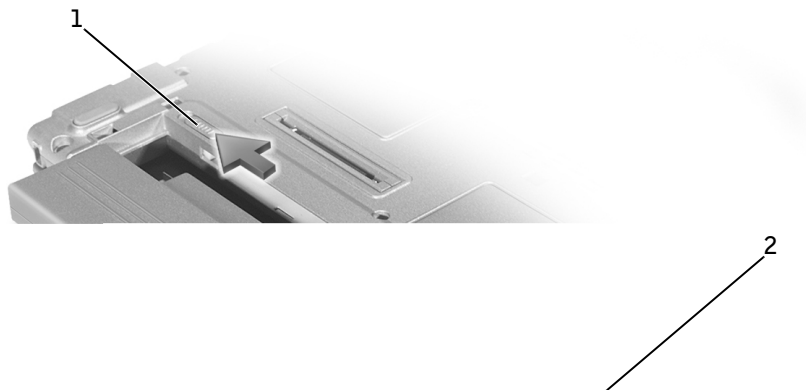
 **AVIS :** Pour éviter la perte ou la corruption de vos données, enregistrez votre travail immédiatement après avoir reçu une alerte de niveau de batterie faible. Connectez ensuite l'ordinateur à une prise électrique. Si la batterie est complètement déchargée, l'ordinateur passe automatiquement en mode mise en veille prolongée.

Une fenêtre contextuelle vous avertit lorsque le chargeur de batterie descend en-dessous d'un certain pourcentage de charge, qui est paramétré dans la fenêtre **Power Options Properties (propriétés de la gestion de l'alimentation)**. Pour plus d'informations sur les alertes niveau de batterie faible, consultez la section « Gestion de l'alimentation » du *Guide d'utilisation* en ligne.

Retrait de la batterie de votre ordinateur

➔ **AVIS :** Vous ne pouvez pas déconnecter votre ordinateur de la station d'accueil pendant que celui-ci est en mode attente ou en mode mise en veille prolongée. Si vous décidez de déconnecter votre ordinateur avant de le mettre en mode veille et de changer de batterie, vous disposez d'une minute pour effectuer cette opération. Une fois ce délai écoulé, l'ordinateur s'arrête et toutes les données non enregistrées sont définitivement perdues.

- 1 Assurez-vous que l'ordinateur est éteint, ou en mode mise en veille prolongée, *ou* connecté à une prise électrique.
- 2 Retirez la batterie :
 - a Si l'ordinateur est amarré, déconnectez-le.
 - b Faites glisser le loquet de la batterie vers le bas de l'ordinateur, en position déverrouillée.
 - c Faites glisser et maintenez le loquet de verrouillage de la batterie vers le bas de l'ordinateur, puis retirez la batterie de la baie.

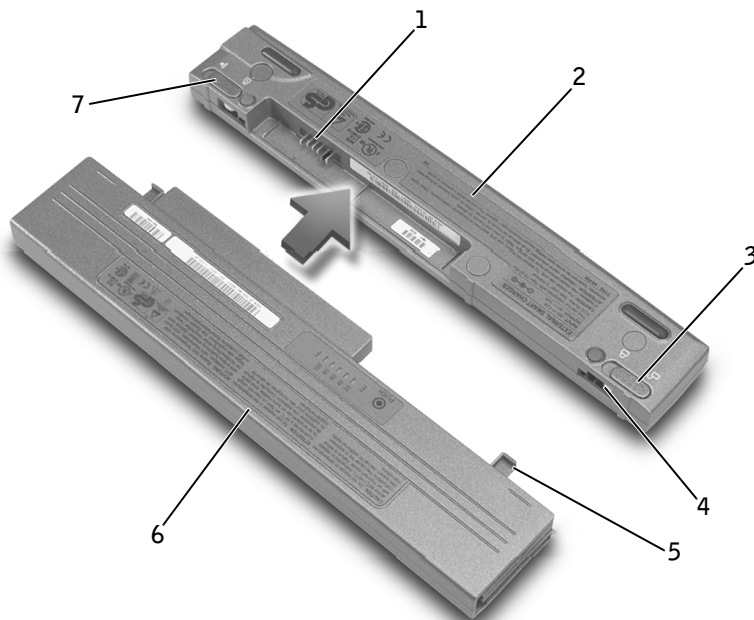


1 Loquet de verrouillage de la batterie

2 Déclencheur du loquet de la batterie

Raccordement de la batterie au chargeur de batterie

- 1 Aligned le dessous de la batterie de sorte qu'il coïncide avec le dessous du chargeur de batterie.
- 2 Faites glisser la batterie dans le connecteur du chargeur de batterie, puis faites glisser les languettes de la batterie dans les fentes du chargeur.



1 Connecteur du chargeur de batterie

2 Chargeur de batterie

3 Loquet de verrouillage du chargeur de batterie

4 Fentes du chargeur de batterie (2)

5 Languettes de la batterie (2)

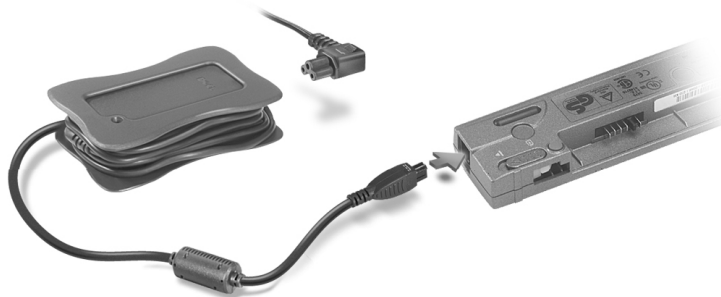
6 Batterie

7 Déclencheur du loquet du chargeur de batterie

- 3 Faites glisser le loquet de verrouillage du chargeur de batterie en position verrouillée.

Recharge de la batterie

- 1 Retirez la batterie de l'ordinateur et raccordez-la au chargeur de batterie (voir « Retrait de la batterie de votre ordinateur » et « Raccordement de la batterie au chargeur de batterie »).
- 2 Reliez l'adaptateur CA/CC au connecteur de l'adaptateur CA/CC du chargeur de batterie et à une prise électrique.



⚠ PRÉCAUTION : Si vous utilisez une barrette d'alimentation multiprise, soyez prudent lorsque vous y raccordez le cordon de l'adaptateur CA/CC. Certaines rampes d'alimentation peuvent ne pas empêcher l'insertion d'une prise de façon incorrecte. L'insertion incorrecte de la prise de courant peut provoquer un dommage irréparable sur votre ordinateur, ainsi qu'un risque de choc électrique et/ou d'incendie. Assurez-vous que le contact de mise à la terre de la prise de courant est inséré dans le contact de mise à la terre correspondant de la rampe d'alimentation.

La batterie de 27 WHr se recharge généralement en 1,5 heures environ. Il faut compter 3 heures pour le modèle 58 WHr. Pendant le chargement de la batterie, le voyant du chargeur est vert. Lorsque la batterie est complètement rechargée, le voyant du chargeur est vert et clignote. Si des erreurs se produisent pendant le chargement, le voyant du chargeur est orange et clignote.

Pour plus d'informations sur la résolution des problèmes liés à la batterie, consultez la section « Résolution de problèmes » du *Guide d'utilisation* en ligne.

Retrait de la batterie de du chargeur de batterie

AVIS : Lorsque vous déconnectez l'adaptateur CA/CC du chargeur de batterie, saisissez le connecteur du câble de l'adaptateur et non le câble lui-même, puis tirez fermement mais avec précaution pour éviter d'endommager le câble.

- 1 Débranchez l'adaptateur CA/CC du chargeur et de la prise de courant.
- 2 Faites glisser le loquet de verrouillage du chargeur de batterie en position non-verrouillée.
- 3 Faites glisser et maintenez le déclencheur du loquet du chargeur de batterie, puis retirez doucement la batterie du connecteur du chargeur.
- 4 Réinstallez la batterie dans votre ordinateur.
 - a Faites glisser la batterie dans la baie jusqu'à ce que le loquet de verrouillage s'enclenche.
 - b Faites glisser le loquet de verrouillage de la batterie en position verrouillée.

Stockage d'une batterie

Enlevez toute batterie installée si vous stockez votre ordinateur pendant une période prolongée. Sinon, la batterie finira par se décharger. Après une longue période de stockage, rechargez complètement la batterie avant de l'utiliser.

Caractéristiques

Chargeur de batterie

Dimensions :

Profondeur	35 mm (1,4 pouce)
Hauteur	15 mm (0,6 pouce)
Largeur	212 mm (8,3 pouces)
Poids (standard)	60 g (0,13 livre)

Chargeur de batterie (suite)

Tension :

Entrée	20 VCC
Alimentation	9 VCC (nominale)
Courant de charge (maximal)	3,0 A avec une batterie de 58 WHr 3,0 A avec une batterie de 27 WHr
Durée approximative de la charge	3 heures avec une batterie de 58 WHr 1,5 heure avec une batterie de 27 WHr

Plage de températures :

Fonctionnement	0° à 40°C (32° à 104°F)
Stockage	-65° à 150°C (-85° à 302°F)

Adaptateur CA/CC

Tension d'entrée	90–135 VAC et 164–264 VAC
Courant d'entrée (maximal)	1,2 A
Fréquence d'entrée	47–63 Hz
Courant de sortie (maximal)	2,5 A
Alimentation de sortie	50 W
Tension de sortie nominale	20 VCC
Dimensions (sans outil de gestion d'alimentation) :	
Hauteur	27,5 mm (1,08 pouce)
Largeur	47 mm (1,85 pouce)
Profondeur	95 mm (3,74 pouces)
Poids (câble CC inclus)	410 g (0,9 livre)
Plage de températures :	
Fonctionnement	0° à 40°C (32° à 104°F)
Stockage	-40° à 70°C (-40° à 158°F)

Réglémentations

Une interférence électromagnétique (EMI, Electromagnetic Interference) est un signal ou une émission, véhiculé(e) dans l'espace libre ou par des conducteurs électriques ou de signaux, qui peut mettre en danger le fonctionnement d'une radionavigation ou autre service de sécurité ou sérieusement dégrader, obstruer ou interrompre à maintes reprises un service de communications radio autorisé. Les services de communications radio incluent, de manière non limitative, les services de radiodiffusion commerciale AM/FM, la télévision, les services de téléphonie cellulaire, la radiodétection, le contrôle de la circulation aérienne, les récepteurs de radiomessagerie et les systèmes GSM. Ces services autorisés, ainsi que les éléments rayonnants parasites involontaires tels que les dispositifs numériques, y compris les ordinateurs, contribuent à l'environnement électromagnétique.

La compatibilité électromagnétique (CEM) est la capacité des éléments d'un équipement électronique à interagir correctement dans l'environnement électronique. Bien que cet ordinateur ait été conçu dans le respect de cette compatibilité et soit conforme aux seuils fixés en matière d'interférences électromagnétiques par l'organisme de réglementation, il n'y a aucune garantie concernant les interférences susceptibles de se produire sur une installation particulière. Si l'équipement crée effectivement des interférences avec des services de communications radio (ce qui peut être déterminé en l'éteignant et en l'allumant), l'utilisateur est encouragé à essayer de corriger ce phénomène en prenant l'une ou l'ensemble des mesures suivantes :

- Changer l'orientation de l'antenne de réception.
- Repositionner l'ordinateur en fonction du récepteur.
- Éloigner l'ordinateur du récepteur.
- Brancher l'ordinateur sur une autre prise, pour faire en sorte que l'ordinateur et le récepteur se trouvent sur différents circuits de dérivation.

Si nécessaire, consulter un membre de l'équipe du support technique de Dell ou un technicien radio/télévision expérimenté pour des suggestions supplémentaires.

Les ordinateurs Dell sont conçus, testés et classés pour l'environnement électromagnétique dans lequel il est prévu de les utiliser. Ces classifications font généralement référence aux définitions harmonisées suivantes :

- Classe A : environnements professionnels ou industriels.
- Classe B : environnements résidentiels.

Les équipements informatiques, y compris les périphériques, cartes d'extension, imprimantes, périphériques d'entrée/sortie (E/S), moniteurs, etc., qui sont intégrés ou connectés à l'ordinateur doivent appartenir à la même classification CEM que l'ordinateur.

Remarque sur les câbles de signal blindés : N'utilisez que des câbles blindés pour connecter les périphériques aux dispositifs Dell, afin de réduire la possibilité d'interférence avec les services de communications radio. L'utilisation de câbles blindés permet de rester dans la classification CEM pour l'environnement prévu. Dell propose un câble pour les imprimantes utilisant le port parallèle. Si vous le souhaitez, vous pouvez commander un câble sur le World Wide Web, à l'adresse suivante : accessories.us.dell.com/sna/category.asp?category_id=4117.

La plupart des ordinateurs Dell sont répertoriés pour les environnements de classe B. Cependant, l'inclusion de certaines options peut provoquer le passage de certaines configurations en classe A. Pour déterminer la classe s'appliquant à votre ordinateur ou périphérique, consultez les sections suivantes, propres à chaque organisme de réglementation. Chaque section propose, de façon spécifique pour tel(le) pays ou zone géographique, des informations CEM/EMI ou relatives à la sécurité des produits.

Réglementation IC (Canada seulement)

La plupart des ordinateurs Dell (et autres appareils numériques Dell) sont classés par la norme Industry Canada (IC) Interference-Causing Equipment Standard (norme sur les équipements produisant des interférences) #3 (ICES-003) comme appareils numériques de classe B. Pour déterminer la classification (classe A ou B) applicable à votre ordinateur (ou aux autres appareils numériques Dell), examinez toutes les étiquettes d'homologation situées sur le dessous ou au dos de votre ordinateur (ou autre appareil numérique). Une mention de type « IC Class A ICES-003 » ou « IC Class B ICES-003 » doit figurer sur l'une de ces étiquettes. Notez que la réglementation Industry Canada précise que tout changement ou modification non expressément approuvé par Dell peut annuler vos droits d'utilisation de cet équipement.

Cet appareil numérique de classe B (ou classe A, selon l'indication de l'étiquette d'enregistrement) répond aux normes Canadian Interference-Causing Equipment Regulations (normes sur les équipements produisant des interférences).

Cet appareil numérique de classe B (ou classe A, selon l'indication de l'étiquette d'enregistrement) respecte toutes les exigences de la Réglementation sur le Matériel Brouilleur du Canada.

Conformité ENERGY STAR®

Certaines configurations des ordinateurs Dell™ sont conformes aux exigences définies par l'agence EPA (Environmental Protection Agency) pour les ordinateurs optimisant l'énergie. Si l'emblème ENERGY STAR® se trouve sur le panneau avant de votre ordinateur, la configuration d'origine est conforme à ces exigences et toutes les fonctions de gestion de l'alimentation ENERGY STAR® de l'ordinateur sont activées.

REMARQUE : Tout ordinateur Dell portant l'emblème ENERGY STAR® est certifié conforme aux exigences EPA ENERGY STAR® tel qu'il est configuré à la livraison par Dell. Toute modification apportée à cette configuration (telle que l'installation de cartes d'extension ou de pilotes supplémentaires) peut augmenter la consommation d'énergie de l'ordinateur au-delà des limites définies par le programme Ordinateurs ENERGY STAR® de l'agence EPA.

Emblème ENERGY STAR®



Le programme Ordinateurs ENERGY STAR® de l'agence EPA est le fruit de l'effort commun de l'agence EPA et des fabricants d'ordinateurs dans le but de réduire la pollution ambiante par la promotion de produits informatiques à faible consommation d'énergie. L'agence EPA estime que l'utilisation d'ordinateurs ENERGY STAR® peut permettre aux utilisateurs d'économiser jusqu'à deux milliards de dollars par an en coûts d'électricité. Ainsi, cette réduction de l'utilisation d'électricité peut réduire les émissions de dioxyde de carbone, gaz responsable de l'effet de serre, de l'anhydride sulfureux et des oxydes d'azote, les principales causes des pluies acides.

Vous pouvez également aider à réduire la consommation d'électricité et ses effets indésirables en éteignant votre ordinateur lorsque vous ne l'utilisez pas pendant un certain temps, en particulier la nuit et pendant les week-ends.

Garantie limitée et règle de retour

Dell Computer Corporation (« Dell ») fabrique ses produits à partir de pièces et de composants neufs ou quasiment neufs conformément aux pratiques industrielles standard. Pour obtenir des informations sur la garantie limitée Dell pour votre ordinateur, consultez le *Guide d'information sur le système*.

Dell™ Latitude™ X200

Carregador de Bateria



Notas, Avisos e Cuidados



NOTA: As Notas fornecem informações importantes que ajudam você a usar melhor o computador.



AVISO: Os Avisos informam sobre um dano possível no hardware ou perda de dados e ensina a evitar o problema.



CUIDADO: Os Cuidados indicam a possibilidade de danos à propriedade, danos pessoais ou morte.

Abreviações e Acrônimos

Para obter uma lista completa de abreviações e acrônimos, consulte o *Guia do Usuário* do computador (dependendo do sistema operacional, clique duas vezes no ícone **User's Guide (Guia do Usuário)** na área de trabalho ou clique no botão **Start (Iniciar)**, em **Help and Support Center (Centro de ajuda e suporte)**, em **User and system guides (Guias do usuário e do sistema)** e, por fim, clique em **User Guide (Guia do Usuário)**).

**As informações contidas neste documento estão sujeitas a alterações sem aviso prévio.
© 2002 Dell Computer Corporation. Todos os direitos reservados.**

É proibida a reprodução sem permissão por escrito da Dell Computer Corporation.

Marcas comerciais utilizadas neste texto: *Dell*, o logotipo *DELL* e *Latitude* são marcas comerciais da Dell Computer Corporation; *Microsoft* e *Windows* são marcas comerciais registradas da Microsoft Corporation; *ENERGY STAR* é uma marca comercial registrada da U.S. Environmental Protection Agency (Agência de Proteção Ambiental dos EUA). Como parceira da ENERGY STAR, a Dell Computer Corporation determinou que este produto atende às diretrizes da ENERGY STAR no que se refere à eficiência de energia.

Outros nomes e marcas comerciais podem ser usados neste documento como uma referência às entidades que reivindicam as marcas e aos nomes de seus produtos. A Dell renuncia ao direito de qualquer participação em nomes e marcas comerciais que não sejam de sua propriedade.

Conteúdo

CUIDADO: Instruções de Segurança	57
Geral	57
Força	58
Bateria	59
Quando Usar o Carregador de Bateria	60
Descarte da Bateria	60
Sobre o Carregador de Bateria	61
Visão Superior	61
Visão Lateral	61
Visão Inferior	62
Verificando a Carga da Bateria	62
Removendo a Bateria do Computador	64
Conectando a Bateria ao Carregador de Bateria	65
Carregando a Bateria	66
Removendo a Bateria do Carregador de Bateria	67
Guardando uma Bateria	67
Especificações	67
Avisos de Regulamentação	69
Compatível com ENERGY STAR®	71
Garantia Limitada e Política de Devolução	72

CUIDADO: Instruções de Segurança

Use as diretrizes de segurança a seguir para ajudá-lo a garantir sua própria segurança e para ajudá-lo a proteger o computador e o ambiente de trabalho de danos possíveis.

Geral

- Estas instruções de segurança estão relacionadas à interação entre a bateria, seu carregador e o adaptador para CA. Consulte o *Guia de informações do sistema* do computador para obter informações completas de segurança.
- Use este carregador de bateria somente com o módulo de bateria da Dell para o qual foi projetado. O uso de outro que não seja o módulo aprovado pode aumentar o risco de incêndio ou explosão.
- Não tente fazer a manutenção do carregador da bateria sozinho, a menos que você seja um técnico treinado para isso. Sempre siga exatamente as instruções de instalação.
- Se você usar uma régua de energia com o adaptador para CA, certifique-se de que a amperagem total dos produtos conectados à régua de energia não ultrapasse a da régua.
- Não bloqueie as passagens de ar ou a ventilação do computador com objetos. Esse procedimento pode provocar incêndio ou choque elétrico em consequência de curtos circuitos nos componentes internos.
- Posicione o adaptador para CA em uma área ventilada (como uma mesa ou sobre o assoalho) ao usá-lo para ligar o computador ou carregar a bateria. Não cubra o adaptador para CA com papéis ou outros objetos que diminuam a ventilação; além disso, não o use dentro de caixas.
- O adaptador para CA pode aquecer durante a operação normal do computador. Tenha cuidado ao manuseá-lo durante ou imediatamente depois da operação.
- Não trabalhe com o carregador da bateria posicionado diretamente sobre a pele (sobre as pernas, por exemplo) por períodos prolongados. A temperatura de superfície da base se elevará durante a operação normal (principalmente se a alimentação for por corrente alternada). O contato direto com a pele por um período prolongado pode provocar mal-estar ou até mesmo queimaduras.
- Não utilize o carregador da bateria em ambientes úmidos, como próximo a banheiras, pias, piscinas ou qualquer local molhado.

CUIDADO: Instruções de Segurança (continuação)

- Para evitar o risco possível de choque elétrico, não conecte ou desconecte cabos, nem faça manutenção ou reconfiguração deste produto durante tempestades com descargas elétricas. Não use o carregador da bateria durante tempestades com descargas elétricas, a menos que todos os cabos tenham sido desconectados e o computador esteja sendo alimentado por bateria.
- Antes de limpar o carregador da bateria, remova a fonte de energia. Limpe o carregador com um pano macio, umedecido em água. Não use detergentes líquidos ou em aerossol, pois esses produtos podem conter substâncias inflamáveis.

Força

- Use somente o adaptador para CA fornecido pela Dell e aprovado para uso com o carregador de bateria. O uso de outro adaptador para CA pode causar incêndio ou explosão.
- Antes de conectar o carregador de bateria a uma tomada elétrica, verifique a voltagem do adaptador para CA para certificar-se de que a frequência e a voltagem solicitadas correspondam à fonte de energia disponível.
- Para remover o carregador da bateria de todas as fontes de energia, desligue o computador, retire a bateria e desconecte o adaptador para CA da tomada elétrica.
- Para evitar choque elétrico, conecte o adaptador para CA e os cabos de alimentação dos periféricos às fontes de energia aterradas corretamente. Esses cabos de alimentação podem estar equipados com plugues de três pinos a fim de fornecer uma conexão de aterramento. Não use plugues adaptadores nem remova o pino de aterramento do plugue do cabo de alimentação. Se você usar uma extensão de cabo de alimentação, use o tipo correto (dois ou três pinos), ou seja, uma extensão que seja compatível com o cabo de alimentação do adaptador para CA.
- Certifique-se de que nada esteja sobre o cabo de alimentação do adaptador para CA e de que esse cabo não fique exposto em locais onde se possa esbarrar ou pisar nele.

CUIDADO: Instruções de Segurança (continuação)

- Se você estiver usando um filtro de linha com várias tomadas, tenha cuidado ao conectar o cabo de alimentação do adaptador para CA ao filtro de linha. Alguns filtros de linha permitem que o plugue seja inserido incorretamente. Se isso ocorrer, o computador poderá sofrer danos permanentes e haverá o risco de choque elétrico e/ou incêndio. Certifique-se de que o pino terra do plugue de energia esteja inserido no contato terra do filtro de linha.

Bateria

- Use apenas os módulos de bateria da Dell que foram aprovados para uso com o computador. O uso de outros tipos pode aumentar o risco de incêndio ou explosão.
- Não carregue baterias no bolso, na bolsa ou em outros locais em que objetos metálicos (como chaves de carro ou cliques de papel) possam provocar um curto-circuito nos terminais das baterias. O fluxo resultante de corrente excessiva pode provocar temperaturas extremamente altas, podendo danificar a bateria ou causar incêndio ou queimaduras.
- Se manusear a bateria de forma inadequada, você poderá sofrer queimaduras. Não desmonte a bateria. Manuseie com muito cuidado baterias danificadas ou que estejam vazando. Se a bateria for danificada, poderá haver vazamento de eletrólitos das células, o que poderá causar lesões.
- Mantenha a bateria longe de crianças.
- Não guarde ou deixe o computador ou a bateria perto de uma fonte de calor (como radiadores, lareiras, fornos, aquecedores elétricos ou quaisquer outros dispositivos geradores de calor), nem o exponha de qualquer outra forma a temperaturas acima de 60°C (140°F). Quando expostas a temperaturas excessivas, as células da bateria podem explodir ou vazar, oferecendo risco de incêndio.
- Não descarte as baterias do computador jogando-as no fogo ou junto com o lixo doméstico. As células da bateria podem explodir. Descarte as baterias usadas de acordo com as instruções do fabricante ou entre em contato com a empresa de coleta de lixo de sua região para obter mais instruções sobre como descartá-las. Descarte imediatamente baterias gastas ou danificadas.

Quando Usar o Carregador de Bateria

Siga estas instruções de manuseio seguro para evitar danos ao carregador de bateria:

- Ao instalar o carregador de bateria, coloque-o sobre uma superfície plana.
 - Proteja-o de riscos ambientais, como sujeira, poeira, alimentos, líquidos, temperaturas extremas e superexposição ao sol.
 - Quando você transporta o carregador da bateria em ambientes com variações térmicas e/ou de umidade muito distintas, é possível que se forme condensação sobre ou dentro do computador. Para não danificar o carregador de bateria, aguarde o tempo necessário para a umidade se evaporar antes de usá-lo.
- ➔ AVISO:** Ao transportar o computador de condições de baixa temperatura para um ambiente mais quente ou de condições de alta temperatura para um ambiente mais frio, aguarde o computador se adaptar à temperatura ambiente antes de ligá-lo.
- Ao desconectar um cabo, retire seu conector ou o respectivo loop de alívio de tensão, e não o cabo propriamente dito. Ao remover o conector, mantenha-o alinhado para não danificar os pinos. Além disso, antes de conectar um cabo, certifique-se de que os dois conectores estejam orientados e alinhados corretamente.
 - Se o carregador da bateria estiver úmido ou danificado, siga os procedimentos descritos em “Solucionando Problemas”. Se, após seguir esses procedimentos, o carregador de bateria não funcionar corretamente, entre em contato com a Dell (consulte “Obtendo Ajuda” no *Guia do Usuário* para obter as informações de contato apropriadas).



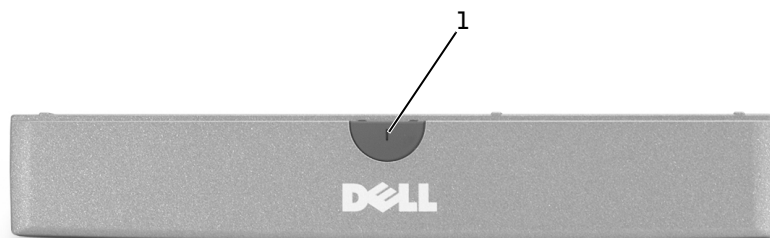
Descarte da Bateria

Seu computador usa uma bateria de lítio e uma bateria de célula tipo moeda de hidreto de níquel metálico (NiMH, nickel-cadmium metal hydride). Para obter instruções sobre como substituir a bateria de íon de lítio no computador, consulte a seção sobre substituição de bateria na documentação do computador da Dell. A bateria de NiMH é uma bateria de longa duração, que talvez nunca precise ser substituída. Contudo, caso seja necessário substituí-la, o procedimento deve ser executado por um técnico autorizado.

Não descarte a bateria junto com o lixo doméstico. Entre em contato com a empresa de coleta de lixo de sua região para obter o endereço do local mais próximo para depositar baterias.

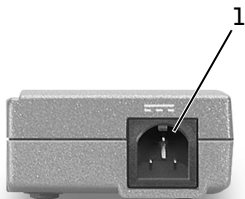
Sobre o Carregador de Bateria

Visão Superior



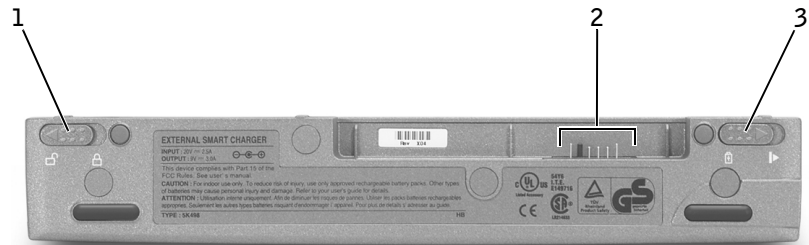
1 luz do carregador de
bateria

Visão Lateral



1 conector do adaptador
para CA


Visão Inferior



- | | |
|---|---|
| 1 | trava do carregador de bateria |
| 2 | conector do carregador de bateria |
| 3 | liberação da trava do carregador de bateria |

Verificando a Carga da Bateria

Você pode verificar o carregador de bateria antes de remover a bateria do computador e conectá-la ao carregador de bateria. Você também pode definir opções de gerenciamento de força para ser alertado quando a carga da bateria estiver baixa.

A janela do medidor de energia do Microsoft® Windows® e o ícone , o regulador de carga da bateria e a advertência de pouca bateria fornecem informações sobre a carga da bateria.

Medidor de Energia


O medidor de energia do Windows indica a carga restante da bateria. Para verificá-lo:

Clique duas vezes no ícone  da barra de tarefas ou:

- 1 Abra o Control Panel (Painel de controle).
- 2 Clique duas vezes no ícone Power Options (Opções de energia) (ou Power Management [Gerenciamento de Energia]) para abrir a janela Power Options Properties (Propriedades de Opções de energia).

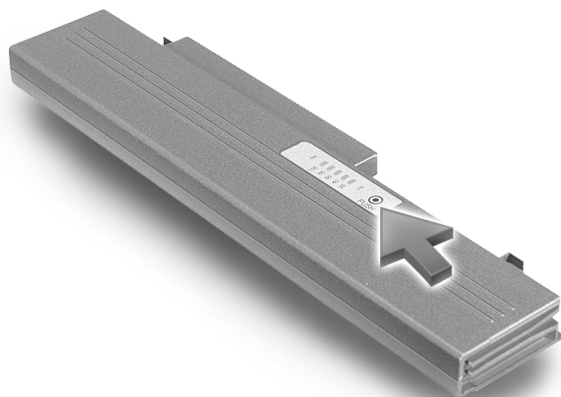
3 Clique na guia **Power Meter (Medidor de energia)**.

A guia **Power Meter (Medidor de energia)** exibe a fonte de energia atual e a quantidade de carga que resta na bateria.


Se o computador estiver conectado a uma tomada elétrica, o ícone  será exibido.

Regulador de Carga de Bateria

Antes de conectar o carregador à bateria, pressione o botão de status no regulador de carga da bateria para acender as luzes do nível de carga. Cada luz representa aproximadamente 20% da carga total da bateria. Por exemplo, se a bateria tiver 80% de carga restante, quatro das cinco luzes estarão acesas. Se não houver luzes acesas, é porque a bateria está sem carga.



Advertência de Pouca Bateria

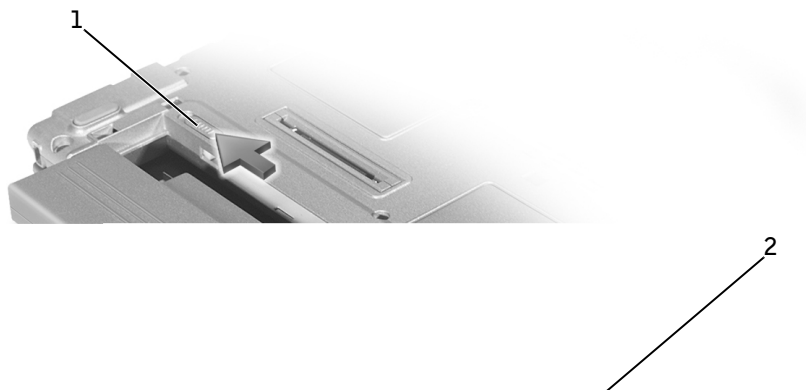
 **AVISO:** Para evitar perda ou danos aos dados, salve o trabalho imediatamente após uma advertência de pouca bateria. Conecte o computador a uma tomada elétrica. Se a bateria ficar completamente esgotada, o modo de hibernação será iniciado automaticamente.

Uma janela pop-up avisa quando a carga da bateria cai abaixo de determinado percentual, definido na janela **Power Options Properties (Propriedades de Opções de energia)**. Para obter mais informações sobre alarmes de pouca bateria consulte “Gerenciamento de Energia” no *Guia do Usuário* on-line.

Removendo a Bateria do Computador

➔ **AVISO:** Você não pode desencaixar o computador enquanto ele estiver no modo de espera ou no modo de hibernação. Se você optar por desencaixar o computador primeiro, colocá-lo no modo de espera e depois trocar as baterias, terá só um minuto para concluir a troca antes que o computador seja desligado e os dados que não foram salvos sejam perdidos.

- 1 Verifique se o computador está desligado, no modo de hibernação, ou conectado a uma tomada elétrica.
- 2 Remova a bateria:
 - a Se o computador estiver conectado, desconecte-o.
 - b Empurre a trava da bateria na parte inferior do computador até a posição destravada.
 - c Empurre e segure a trava da bateria na parte inferior do computador e, em seguida, remova a bateria do compartimento.

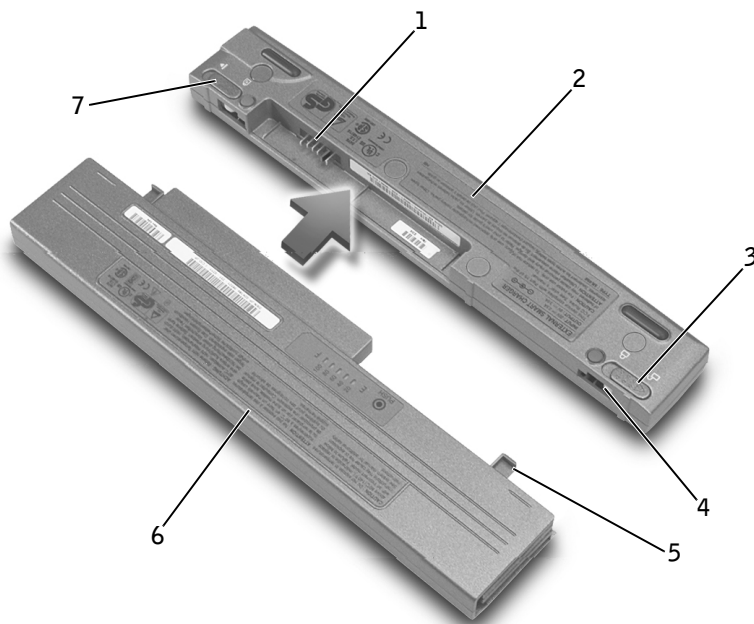


1 trava da bateria

2 trava de bateria

Conectando a Bateria ao Carregador de Bateria

- 1 Alinhe a parte inferior da bateria com a do carregador de bateria.
- 2 Deslize a bateria pelo conector do carregador de bateria e deslize as presilhas pelos encaixes do carregador de bateria.



1 conector do carregador de bateria

5 presilhas da bateria (2)

2 carregador de bateria

6 bateria

3 trava do carregador de bateria

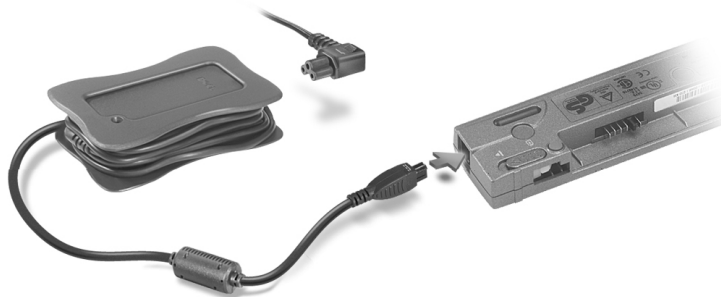
7 liberação da trava do carregador de bateria

4 encaixes do carregador de bateria (2)

- 3 Deslize a trava do carregador de bateria até a posição de travamento.

Carregando a Bateria

- 1 Remova a bateria do computador e conecte-a ao carregador de bateria (consulte “Removendo a Bateria do Computador” e “Conectando a Bateria ao Carregador de Bateria”).
- 2 Conecte o adaptador para CA ao seu conector no carregador de bateria e à tomada elétrica.



⚠ CUIDADO: Se estiver usando uma régua de energia com várias tomadas, tenha cuidado ao conectar o cabo de força do adaptador para CA à régua. Alguns filtros de linha permitem que o plugue seja inserido incorretamente. Se isso ocorrer, o computador poderá sofrer danos permanentes e haverá o risco de choque elétrico e/ou incêndio. Certifique-se de que o pino terra do plugue de força esteja inserido no contato terra do filtro de linha.

A bateria de 27 WHr deve estar completamente carregada em aproximadamente 1 hora e meia, a bateria de 58 WHr deve estar completamente carregada em aproximadamente 3 horas. Enquanto a bateria estiver carregando, a luz do carregador de bateria fica verde. Quando a bateria estiver completamente carregada, a luz do carregador de bateria pisca verde. Se ocorrer um erro durante a carga da bateria, a luz do carregador de bateria pisca âmbar.

Para obter informações sobre como solucionar problemas relacionados à bateria, consulte “Solucionando Problemas” no *Guia do Usuário* on-line.

Removendo a Bateria do Carregador de Bateria

⚠ AVISO: Quando você desconectar o adaptador para CA do carregador de bateria, segure o conector do cabo do adaptador, não o cabo propriamente dito, e puxe-o com firmeza, mas com cuidado para não danificar o cabo.

- 1 Desconecte o adaptador para CA da tomada elétrica e o carregador de bateria.
- 2 Deslize a trava do carregador de bateria até a posição de destravamento.
- 3 Deslize e segure a liberação de trava do carregador de bateria e empurre suavemente a bateria para fora do conector do carregador.
- 4 Reinstale a bateria no computador:
 - a Empurre a bateria para dentro do compartimento até ouvir um clique na trava da bateria.
 - b Empurre a trava da bateria até a posição travada.

Guardando uma Bateria

Remova qualquer bateria instalada quando guardar o computador por um longo período de tempo. As baterias descarregam caso fiquem guardadas por muito tempo. Se a bateria ficar guardada por um longo período, recarregue-a totalmente antes de executar o computador usando a energia dessa bateria.

Especificações

Carregador de Bateria

Dimensões:

Profundidade	35 mm (1,4 polegada)
Altura	15 mm (0,6 polegada)
Largura	212 mm (8,3 polegadas)
Peso (típico)	0,06 kg (0,13 lb)

Carregador de Bateria (continuação)

Voltagem:

Entrada	20 VCC
Saída	9,0 VCC (nominal)
Corrente de carga (máxima)	3,0 A com bateria de 58 WHr 3,0 A com bateria de 27 WHr
Tempo de carga (aproximado)	3 horas com bateria de 58 WHr 1 hora e meia com bateria de 27 WHr

Faixa de temperatura:

Operacional	0° a 40°C (32° a 104°F)
Armazenamento	-65° a 150°C (-85° a 302°F)

Adaptador para CA

Voltagem de entrada	90–135 VAC e 164–264 VAC
Corrente de entrada (máxima)	1,2 A
Frequência de entrada	47–63 Hz
Corrente de saída (máxima)	2,5 A
Potência de saída	50 W
Voltagem de saída nominal	20 VCC
Dimensões (sem controlador de cabo):	
Altura	27,5 mm (1,08 polegada)
Largura	47 mm (1,85 polegada)
Profundidade	95 mm (3,74 polegadas)
Peso (incluindo cabo CC)	0,41 kg (0,9 lb)
Faixa de temperatura:	
Operacional	0° a 40°C (32° a 104°F)
Armazenamento	-40° a 70°C (-40° a 158°F)

Avisos de Regulamentação

Interferência Eletromagnética (EMI, Electromagnetic Interference) é qualquer sinal ou emissão, irradiada em espaço livre ou transmitida através de condutores de força ou de sinais, que coloque em risco o funcionamento de um serviço de navegação de rádio ou outro serviço de segurança, ou que prejudique seriamente, obstrua ou interrompa várias vezes um serviço licenciado de comunicação de rádio. Os serviços de comunicação de rádio incluem (mas não se limitam a) transmissão comercial AM/FM, televisão, serviços de celular, radar, controle de tráfego aéreo, pager e Serviços de Comunicação Pessoal (PCS, Personal Communication Services). Esses serviços licenciados, juntamente com irradiadores involuntários como dispositivos digitais, incluindo computadores, contribuem para o ambiente eletromagnético.

Compatibilidade Eletromagnética (EMC, Electromagnetic Compatibility) é a capacidade que os itens de um equipamento eletrônico possuem de funcionar corretamente em conjunto no ambiente eletrônico. Embora este computador tenha sido projetado e esteja em conformidade com os limites estabelecidos pelos órgãos de regulamentação para EMI, não há garantias de que não ocorrerá interferência em uma instalação específica. Se o equipamento causar interferência nos serviços de comunicação de rádio, o que pode ser determinado quando o equipamento for ligado e desligado, experimente corrigir a interferência através de uma ou mais das seguintes medidas:

- Reorientar a antena receptora.
- Mudar o computador de lugar em relação ao receptor.
- Afastar o computador do receptor.
- Ligar o computador em outra tomada de modo que o computador e o receptor fiquem em circuitos derivados diferentes.

Se necessário, consulte um representante do Suporte Técnico da Dell ou um profissional técnico experiente de rádio/televisão para obter outras sugestões.

Os computadores da Dell são projetados, testados e classificados para um ambiente eletromagnético específico. Essas classificações de ambiente eletromagnético geralmente se referem às seguintes definições:

- Classe A para ambientes comerciais ou industriais.
- Classe B para ambientes residenciais.

Os equipamentos de tecnologia de informação (ITE, Information Technology Equipment), incluindo dispositivos, placas de expansão, impressoras, dispositivos de entrada e saída (E/S), monitores, entre outros, que estão integrados ou conectados ao computador, devem estar de acordo com a classificação de ambiente eletromagnético do computador.

Aviso Sobre Cabos Blindados de Sinal: Use somente cabos blindados para conectar periféricos a qualquer dispositivo da Dell, a fim de reduzir a possibilidade de interferência em serviços de comunicação de rádio. O uso de cabos blindados garante que a classificação apropriada de EMC seja mantida para o ambiente específico. Para impressoras paralelas, há um cabo da Dell disponível. Se preferir, solicite um cabo da Dell na World Wide Web em accessories.us.dell.com/sna/category.asp?category_id=4117 (em inglês).

A maioria dos computadores da Dell é classificada para ambientes Classe B. Entretanto, a inclusão de determinadas opções pode alterar a classificação de algumas configurações para Classe A. Para determinar a classificação eletromagnética para seu computador ou dispositivo, consulte as seguintes seções específicas para cada órgão de regulamentação. Cada seção possui informações sobre a segurança de produtos ou sobre EMC/EMI específicas de cada país.

Compatível com ENERGY STAR®

Determinadas configurações de computadores da Dell™ atendem aos requisitos estabelecidos pela Secretaria de Proteção Ambiental (EPA - Environmental Protection Agency) para computadores com uso eficiente de energia. Se o painel frontal do computador apresentar o Símbolo da ENERGY STAR®, a configuração original estará em conformidade com esses requisitos e todos os recursos de gerenciamento de energia da ENERGY STAR® do computador estarão ativados.

NOTA: Todo computador da Dell com o Símbolo ENERGY STAR® apresenta certificado de conformidade com os requisitos da ENERGY STAR® da EPA, de acordo com a configuração da data na qual foi enviado pela Dell. Se você fizer alguma alteração nessa configuração (por exemplo, instalar placas de expansão e unidades adicionais), o consumo de energia do computador poderá aumentar além dos limites estabelecidos pelo programa de Computadores da ENERGY STAR® da EPA.



Símbolo da ENERGY STAR®

O programa de computadores ENERGY STAR® da EPA é uma iniciativa conjunta entre a EPA e alguns fabricantes de computadores com o intuito de reduzir a poluição do ar através da promoção de produtos com uso eficiente de energia. A EPA estima que o uso dos produtos ENERGY STAR® pode economizar até dois bilhões de dólares anualmente em custos de eletricidade. Além disso, esta economia no uso de eletricidade pode reduzir as emissões de dióxido de carbono, o gás responsável principalmente pelo efeito estufa, e de dióxido de enxofre e óxido de nitrogênio, as principais causas de chuva ácida.

Você também pode reduzir o uso de eletricidade e seus efeitos colaterais desligando o computador quando ele não estiver sendo usado por longos períodos, especialmente à noite e nos finais de semana.

Garantia Limitada e Política de Devolução

A Dell Computadores do Brasil Ltda (“Dell”) fabrica itens de hardware a partir de peças e componentes novos ou equivalentes a novos, segundo procedimentos de padrão industrial. Para obter informações sobre a garantia limitada da Dell para o seu computador, consulte o *Guia de informações do sistema*.

Dell™ Latitude™ X200

Cargador de baterías



Notas, avisos y precauciones



NOTA: Una NOTA proporciona información importante que le ayuda a utilizar su ordenador de la mejor manera posible.



AVISO: Un AVISO indica un posible daño en el hardware o la pérdida de datos y le explica cómo evitar el problema.



PRECAUCIÓN: Una PRECAUCIÓN indica un posible daño material, lesión corporal o muerte.

Abreviaturas y acrónimos

Para obtener una lista completa de abreviaturas y acrónimos, consulte la *Guía del usuario* del ordenador (dependiendo del sistema operativo, pulse dos veces en el icono **Guía del usuario** en el escritorio, o bien pulse en el botón **Inicio**, en **Centro de Ayuda y soporte técnico** y, por último, en **Guías del usuario y del sistema**).

La información contenida en este documento puede modificarse sin aviso previo.

© 2002 Dell Computer Corporation. Reservados todos los derechos.

Queda estrictamente prohibida la reproducción de este documento por cualquier medio sin la autorización por escrito de Dell Computer Corporation.

Marcas comerciales utilizadas en este texto: *Dell*, el logotipo de *DELL* y *Latitude* son marcas comerciales de Dell Computer Corporation; *Microsoft* y *Windows* son marcas registradas de Microsoft Corporation; *ENERGY STAR* es una marca registrada de U.S. Environmental Protection Agency. Como socio de ENERGY STAR, Dell Computer Corporation ha determinado que este producto cumple las directrices de ENERGY STAR en cuanto a eficacia energética.

Este documento puede incluir otras marcas y nombres comerciales para referirse a las entidades que son propietarias de los mismos o a sus productos. Dell Computer Corporation renuncia a cualquier interés sobre la propiedad de marcas y nombres comerciales que no sean los suyos.

Contenido

PRECAUCIÓN: Instrucciones de seguridad	77
General	77
Alimentación	78
Batería	79
Al utilizar el cargador de baterías	80
Cómo desechar las baterías	80
Acerca del cargador de baterías	81
Vista superior	81
Vista lateral	81
Vista inferior	82
Comprobación de la carga de la batería	82
Extracción de la batería del ordenador	84
Acoplamiento de la batería al cargador de baterías	85
Carga de la batería	86
Extracción de la batería del cargador de baterías	87
Almacenamiento de la batería	87
Especificaciones	87
Avisos sobre regulación	89
Conformidad con ENERGY STAR®	91
Información de la NOM (sólo para México)	92
Garantía limitada y política de devoluciones	92

PRECAUCIÓN: Instrucciones de seguridad

Utilice las siguientes pautas de seguridad para facilitar su propia seguridad personal así como la protección de su ordenador y entorno de trabajo ante posibles daños.

General

- Estas instrucciones de seguridad hacen referencia a la interacción entre el cargador de baterías, la batería y el adaptador de CA. Consulte la *Guía de información del sistema* de su ordenador para obtener una completa información de seguridad sobre su máquina.
- Utilice este cargador de baterías únicamente con el módulo de batería Dell para el que ha sido destinado. Su uso con otros módulos distintos del aprobado puede aumentar el riesgo de incendio o de explosión.
- No intente manipular usted mismo el cargador de baterías a no ser que sea un técnico con formación. Siga fielmente las instrucciones de instalación en todo momento.
- Si utiliza una regleta con el adaptador de corriente alterna, asegúrese de que el porcentaje total de amperios de los dispositivos enchufados a la regleta no exceden el porcentaje de amperios de ésta.
- No inserte ningún objeto en las rejillas o aberturas de ventilación de su ordenador. Si lo hace y hubiera un cortocircuito en los componentes internos, se podría ocasionar un incendio o una descarga eléctrica.
- Cuando utilice el adaptador de CA para suministrar alimentación al ordenador o para cargar la batería, sitúelo en un área ventilada, como podría ser un escritorio o en el suelo. No cubra el adaptador de CA con papeles u otros objetos que reduzcan la refrigeración; tampoco utilice el adaptador de CA dentro de un maletín.
- El adaptador de CA puede que se caliente durante el funcionamiento normal del ordenador. Tenga cuidado al tocar el adaptador mientras esté funcionando o inmediatamente después de que haya acabado de funcionar.
- No utilice el cargador de baterías con su parte inferior asentada en contacto directo con la piel durante largos períodos de tiempo. La temperatura de la superficie de la base aumentará durante el funcionamiento normal (sobre todo si se utiliza alimentación de CA). El contacto continuado con la piel puede provocar malestar o, en algún caso, quemaduras.
- No utilice el cargador de baterías en un entorno húmedo, por ejemplo, cerca de un baño, lavabo, fregadero, piscina o en una superficie mojada.

PRECAUCIÓN: Instrucciones de seguridad ***(continuación)***

- Para evitar el peligro potencial de sufrir una descarga eléctrica, no conecte ni desconecte ningún cable ni realice el mantenimiento o la reconfiguración de este producto en el transcurso de una tormenta eléctrica. No utilice el cargador de baterías durante una tormenta eléctrica a menos que todos los cables hayan sido desconectados previamente y el ordenador funcione con la alimentación de la batería.
- Antes de limpiar el cargador de baterías, desconéctelo. Limpie el cargador con un paño suave humedecido en agua. No utilice ningún líquido limpiador o aerosol que pudiera contener sustancias inflamables.

Alimentación

- Utilice únicamente el adaptador de CA proporcionado por Dell que se ha aprobado para su uso con este cargador de baterías. El uso de otro tipo de adaptador de CA podría implicar un riesgo de incendio o explosión.
- Antes de conectar el cargador de baterías a una toma de corriente, asegúrese de que el tipo de voltaje del adaptador CA y la frecuencia coinciden con los de la fuente de alimentación disponible.
- Para interrumpir la alimentación del cargador de baterías, apáguelo, retire el paquete de baterías y desconecte el adaptador de CA de la toma eléctrica.
- Para evitar descargas eléctricas, enchufe el adaptador de CA y los cables de alimentación de los dispositivos periféricos a fuentes de alimentación con una toma de tierra adecuada. Estos cables podrían estar equipados con enchufes de tres clavijas para garantizar la toma de tierra. No utilice adaptadores ni retire la clavija de toma de tierra del enchufe de la toma de alimentación. Si utiliza un alargador para realizar la conexión, elija el tipo apropiado, de dos o tres clavijas, para conectar el cable de alimentación de CA del adaptador.
- Asegúrese de que no haya nada sobre el cable de alimentación del adaptador de CA y de que éste no esté en un sitio donde se pueda pisar o sea fácil tropezar con él.

PRECAUCIÓN: Instrucciones de seguridad *(continuación)*

- Si utiliza una regleta de enchufes, proceda con precaución al conectar el cable de alimentación de CA del adaptador a la regleta. Algunas regletas permiten realizar conexiones erróneas. La conexión incorrecta del enchufe podría provocar daños irreparables en el ordenador, además del riesgo de sufrir una descarga eléctrica o de producir fuego. Asegúrese de que la clavija de toma de tierra del enchufe de alimentación está insertada en la conexión de toma de tierra de la regleta.

Batería

- Utilice sólo las baterías de Dell que se hayan aprobado para su uso con este ordenador. El uso de otro tipo de baterías podría aumentar el riesgo de incendio o explosión.
- No lleve paquetes de baterías en el bolsillo, bolso u otro contenedor en el que los objetos de metal (como las llaves del coche o clips sujetapapeles) puedan producir un cortocircuito en los terminales de la batería. El flujo excesivo de corriente resultante podría provocar temperaturas extremadamente altas y, como consecuencia, daños a la batería, fuego o quemaduras.
- La batería puede causar quemaduras si se utiliza indebidamente. No la desmonte. Tenga mucho cuidado con las baterías dañadas o que goteen. Si la batería está dañada, el electrolito podría filtrarse a través de los acumuladores y causar daños a las personas.
- Manténgala fuera del alcance de los niños.
- No almacene ni deje el ordenador ni la batería cerca de una fuente de calor como un radiador, una chimenea, una estufa, un calentador eléctrico u otro tipo de generador de calor ni los exponga en ningún caso a temperaturas superiores a 60 °C (140 °F). Al alcanzar una temperatura excesiva, los acumuladores de la batería podrían explotar o incluso quemarse.
- No deseche la batería del ordenador echándola al fuego o mezclándola con los desperdicios domésticos. Los acumuladores de la batería podrían explotar. Deshágase de la batería agotada de acuerdo con las instrucciones del fabricante o póngase en contacto con la agencia local de eliminación de residuos para recibir instrucciones al respecto. Deshágase de una batería agotada o dañada lo antes posible.

Al utilizar el cargador de baterías

Observe las siguientes pautas de seguridad para evitar daños en el cargador de baterías.

- Cuando prepare el cargador de baterías para trabajar, colóquelo en una superficie plana.
- Proteja el cargador de baterías de los peligros medioambientales como la suciedad, el polvo, la comida, los líquidos, las temperaturas extremas y las sobreexposiciones a la luz solar.
- Cuando traslade el cargador de baterías de un entorno a otro, con una temperatura o humedad muy distinta, puede que se produzca condensación en el ordenador o dentro de éste. Para evitar daños en el cargador de baterías, deje que transcurra el tiempo suficiente para que se evapore el vaho antes de utilizar el cargador de baterías.



AVISO: Cuando cambie el cargador de baterías de temperaturas bajas a entornos más cálidos o de temperaturas muy altas a entornos más fríos, espere a que el cargador se adapte a la temperatura ambiente antes de encenderlo.

- Cuando desconecte un cable, tire del conector o del protector, no tire directamente del cable. Cuando retire el conector, manténgalo alineado para evitar que se doblen las patas. Además, antes de conectar un cable, asegúrese de que los dos conectores estén orientados y alineados correctamente.
- Si se moja o daña el cargador de baterías, siga los procedimientos descritos en la sección “Solución de problemas”. Si después de seguir estos procedimientos, llega a la conclusión de que el cargador no funciona de manera adecuada, póngase en contacto con Dell (consulte “Obtención de ayuda” en la *Guía del usuario* para conseguir la información de contacto adecuada).



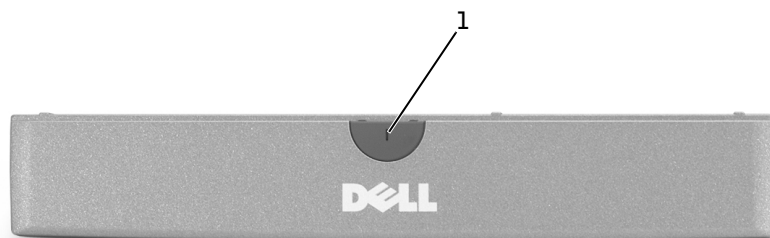
Cómo desechar las baterías

El ordenador utiliza una batería de iones de litio y una pila tipo botón de hidruro de níquel metálico (NiMH). Para obtener instrucciones acerca de la sustitución de la batería de iones de litio del ordenador, consulte la sección acerca de la sustitución de la batería en la documentación del ordenador Dell. La batería de NiMH es una batería de larga duración y es muy posible que nunca precise reemplazarla. Sin embargo, si alguna vez necesita cambiarla, el proceso deberá ser llevado a cabo por una persona del servicio técnico autorizado.

No mezcle las baterías con la basura doméstica. Póngase en contacto con la agencia local de eliminación de residuos para obtener la dirección del contenedor de baterías más cercano.

Acerca del cargador de baterías

Vista superior



1 luz del cargador de baterías

Vista lateral



1 conector del adaptador de CA

V

1

2

3



Cargador de baterías

Baterías

Cargador de baterías

Controlar la carga de la batería

Es importante cargar la batería antes de extraerla del ordenador y asegurarse de que está cargada. También se pueden establecer las opciones de configuración de energía de modo que avisen cuando la carga de la batería está baja.

La batería viene con un medidor de energía de Microsoft®. Windows muestra la carga de la batería y la advertencia de batería baja por defecto. También se puede configurar la advertencia de la carga de la batería.

Mover el icono de advertencia de batería

El icono de advertencia de Windows indica la carga que le queda a la batería. Para mover el icono de advertencia de energía:


Puede hacer clic en el icono de la barra de tareas, o:

Panel de control

Haga clic en **Power Options** (Opciones de energía) o en el icono **Power Management** (Administración de energía) para abrir la ventana **Power Options Properties** (Propiedades de Opciones de energía).

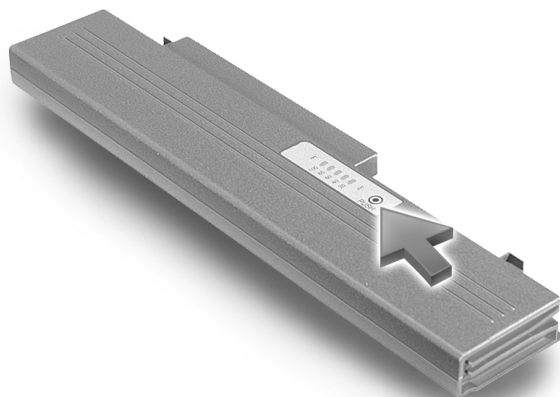
3 Pulse en la pestaña **Medidor de energía**.

La ficha **Power Meter** (Medidor de energía) muestra la fuente de alimentación actual y la cantidad de carga de batería restante.


Si el ordenador está conectado a una toma de corriente eléctrica, aparecerá el icono .

Medidor de carga de la batería

Antes de acoplar la batería al cargador de baterías, pulse el botón de estado del medidor de carga de la batería para encender las luces de nivel de carga. Cada luz representa aproximadamente un 20% de la carga total de la batería. Por ejemplo, si la batería tiene aún un 80% de carga restante, habrá cinco luces encendidas. Si no hay ninguna luz encendida, la batería está descargada.



Advertencia de batería baja

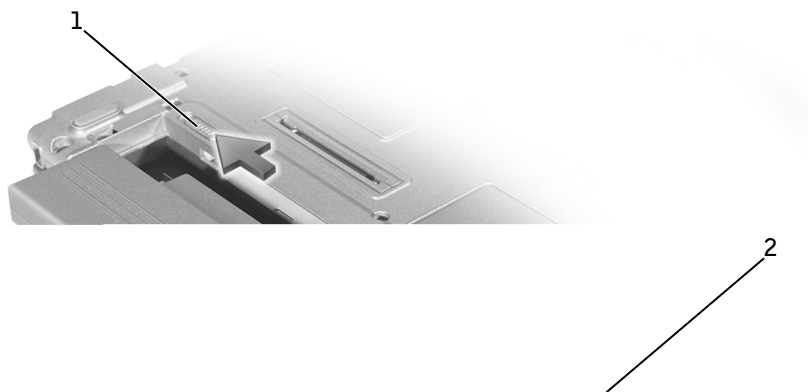
 **AVISO:** Para evitar la pérdida o daño de los datos, tras una advertencia de batería baja guarde el trabajo inmediatamente. A continuación, conecte el ordenador a una toma de corriente eléctrica. El modo de hibernación comienza de forma automática si la carga de la batería se agota por completo.

Una ventana emergente le avisa cuando la carga de la batería queda por debajo de un determinado porcentaje que se establece en la ventana **Propiedades de Opciones de energía**. Para obtener más información sobre advertencias de batería baja, consulte “Administración de energía” en la *Guía del usuario* en línea.

Extracción de la batería del ordenador

➔ **AVISO:** El ordenador no se puede desacoplar mientras se encuentra en el modo de espera o de hibernación. Si decide desacoplar primero el ordenador, ponerlo en el modo de espera y cambiar la batería, tiene hasta un minuto para realizar el cambio antes de que el ordenador se cierre y pierda los datos no guardados.

- 1 Asegúrese de que el ordenador se encuentra apagado, en el modo de hibernación, o conectado a una toma de corriente eléctrica.
- 2 Extraiga la batería:
 - a Si el ordenador está acoplado, desacóplelo.
 - b Deslice el pestillo de bloqueo de la batería situado en la base del ordenador hasta la posición de desbloqueo.
 - c Deslice y sostenga el pestillo de liberación de la batería que se encuentra en la parte de abajo del ordenador y, a continuación, extraiga la batería del compartimento.

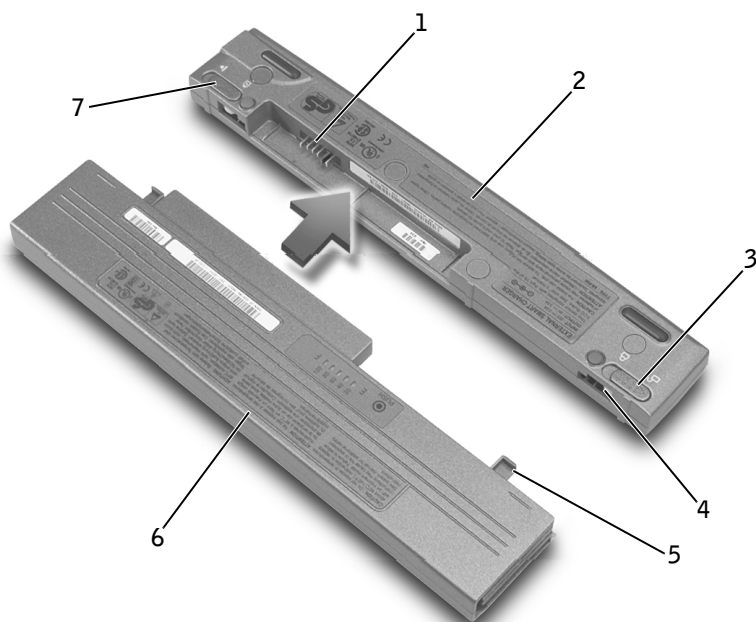


1 pestillo de bloqueo de la batería

2 liberación del pasador de la batería

Acoplamiento de la batería al cargador de baterías

- 1 Alinee la parte inferior de la batería con la parte inferior del cargador de baterías.
- 2 Deslice la batería acoplándola al conector del cargador de baterías, e inserte a su vez las pestañas de la batería en las ranuras del cargador de baterías.

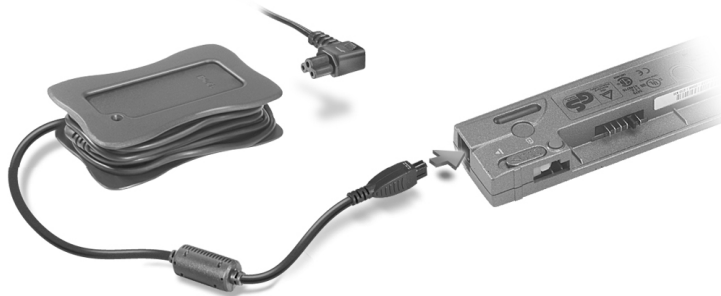


1 conector del cargador de baterías	5 pestañas de la batería (2)
2 cargador de baterías	6 batería
3 pestillo de bloqueo del cargador de baterías	7 pestillo de liberación del cargador de baterías
4 ranuras del cargador de baterías (2)	

- 3 Deslice el pestillo de bloqueo del cargador de baterías hasta la posición de bloqueo.

Carga de la batería

- 1 Extraiga la batería del ordenador y acóplela al cargador de baterías (consulte “Extracción de la batería del ordenador” y “Acoplamiento de la batería al cargador de baterías”).
- 2 Enchufe el adaptador de CA al conector para dicho adaptador del cargador de baterías y a una toma de corriente eléctrica.



⚠ PRECAUCIÓN: Si utiliza una regleta de enchufes, proceda con precaución al conectar el cable de alimentación del adaptador de CA a la regleta. Algunas regletas permiten realizar conexiones erróneas. La conexión incorrecta del enchufe podría provocar daños irreparables en el ordenador, además del riesgo de sufrir una descarga eléctrica o de producir fuego. Asegúrese de que inserta la clavija de toma de tierra del enchufe de alimentación en la conexión de toma de tierra de la regleta.

La batería de 27 WHr debe estar cargada por completo en 1,5 horas aproximadamente; la batería de 58 WHr debe estar cargada por completo en unas 3 horas. Mientras se está cargando la batería, el cargador de baterías se iluminará con un color verde. Cuando la batería esté cargada por completo, la luz del cargador de baterías parpadeará y emitirá una luz verde. Si se produce un error mientras se está cargando, la luz del cargador de baterías parpadeará y será ámbar.

Para obtener más información sobre solución de problemas de la batería, consulte “Solución de problemas” en la *Guía del usuario* en línea.

Extracción de la batería del cargador de baterías

⚠ AVISO: Cuando desconecte el adaptador de CA del cargador de baterías, sostenga el conector del cable del adaptador (no el propio cable) y tire firmemente, pero con cuidado de no dañar el cable.

- 1 Desconecte el adaptador de CA de la toma de corriente eléctrica y del cargador de baterías.
- 2 Deslice el pestillo de bloqueo del cargador de baterías hasta la posición de desbloqueo.
- 3 Deslice el pestillo de liberación del cargador de baterías mientras lo presiona, y extraiga con cuidado la batería del conector del cargador de baterías.
- 4 Vuelva a instalar la batería en el ordenador:
 - a Deslice la batería en el compartimento hasta que el pestillo de liberación de la batería emita un “clic”.
 - b Deslice el pestillo de bloqueo de la batería hasta la posición de bloqueo.

Almacenamiento de la batería

Extraiga el paquete de baterías instalado cuando vaya a guardar el ordenador durante un período de tiempo largo. Las baterías se descargan durante los almacenamientos prolongados. Después de un almacenamiento prolongado, vuelva a cargar la batería totalmente antes de utilizar el ordenador con alimentación a batería.

Especificaciones

Cargador de baterías

Dimensiones:

Profundidad	35 mm (1,4 pulgadas)
Alto	15 mm (0,6 pulgadas)
Ancho	212 mm (8,3 pulgadas)
Peso (típico)	0,06 kg (0,13 libras)

Cargador de baterías (continuación)

Voltaje:

Entrada	20 V de CC
Salida	9,0 V de CC (nominal)
Corriente de carga (máxima)	3,0 A con una batería de 58 WHr 3,0 A con una batería de 27 WHr
Tiempo de carga (aproximado)	3 horas con una batería de 58 WHr 1,5 horas con una batería de 27 WHr

Intervalo de temperatura:

En funcionamiento	de 0° a 40° C (de 32° a 104° F)
En almacenamiento	de -65° a 150° C (de -85° a 302° F)

Adaptador de CA

Voltaje de entrada	de 90 a 135 y de 164 a 264 V de CA
Corriente de entrada (máxima)	1,2 A
Frecuencia de entrada	47-63 Hz
Corriente de salida (máxima)	2,5 A
Potencia de salida	50 W
Voltaje nominal de salida	20 V de CC
Dimensiones (sin administrador de cables):	
Alto	27,5 mm (1,08 pulgadas)
Ancho	47 mm (1,85 pulgadas)
Profundidad	95 mm (3,74 pulgadas)
Peso (incluido el cable de CC)	0,41 kg (0,9 libras)
Intervalo de temperatura:	
En funcionamiento	de 0° a 40° C (de 32° a 104° F)
En almacenamiento	de -40° a 70° C (de -40° a 158° F)

Avisos sobre regulación

Una interferencia electromagnética (EMI, Electromagnetic Interference) es cualquier señal o emisión, radiada en el espacio o conducida a través de un cable de alimentación o señal, que pone en peligro el funcionamiento de la navegación por radio u otro servicio de seguridad, o degrada seriamente, obstruye o interrumpe de forma repetida un servicio de comunicaciones por radio autorizado. Los servicios de radiocomunicaciones incluyen, entre otros, emisoras comerciales de AM/FM, televisión, servicios de telefonía móvil, radar, control de tráfico aéreo, buscapersonas y servicios de comunicación personal (PCS, Personal Communication Services). Estos servicios autorizados, junto con emisores no intencionados como dispositivos digitales, incluidos los ordenadores, contribuyen al entorno electromagnético.

La compatibilidad electromagnética (EMC, Electromagnetic Compatibility) es la capacidad de los componentes del equipo electrónico de funcionar correctamente juntos en el entorno electrónico. Aunque este ordenador se ha diseñado y ajustado para cumplir con los límites de emisión electromagnética establecidos por la agencia reguladora, no hay ninguna garantía de que no ocurran interferencias en una instalación en particular. Si este equipo provoca interferencias con servicios de comunicaciones por radio, lo que se puede determinar apagando y encendiendo el equipo, intente corregir dichas interferencias adoptando una o varias de las siguientes medidas:

- Reoriente la antena de recepción.
- Reubique el equipo con respecto al receptor.
- Aparte el ordenador del receptor.
- Conecte el equipo a una toma diferente de forma que el equipo y el receptor se encuentren en ramas diferentes del circuito.

Si es necesario, consulte a un representante del Servicio de asistencia técnica de Dell o a un técnico experimentado de radio o televisión para obtener consejos adicionales.

Los ordenadores Dell se diseñan, prueban y clasifican en función del entorno electromagnético en el que se van a utilizar. Estas clasificaciones de entornos electromagnéticos se refieren generalmente a las siguientes definiciones armonizadas:

- Clase A: normalmente para entornos empresariales o industriales.
- Clase B: normalmente para entornos residenciales.

El equipo de tecnología de información (ITE, Information Technology Equipment), incluidos los dispositivos, tarjetas de expansión, impresoras, dispositivos de entrada/salida (E/S), monitores, etc., integrados en el ordenador o conectados a él, debe ajustarse a la clasificación del entorno electromagnético del ordenador.

Aviso acerca de los cables de señal blindados: Utilice únicamente cables blindados para conectar dispositivos a cualquier dispositivo Dell con el fin de reducir las posibilidades de interferencias con los servicios de comunicaciones de radio. La utilización de cables blindados garantiza que se mantiene la clasificación apropiada EMC para el entorno diseñado. Para impresoras en paralelo, existen cables de Dell. Si lo prefiere, puede solicitar un cable de Dell en el sitio Web accessories.us.dell.com/sna/category.asp?category_id=4117.

La mayoría de los ordenadores Dell están clasificados para entornos de Clase B. Sin embargo, la inclusión de determinadas opciones puede cambiar la clasificación de algunas configuraciones a Clase A. Para determinar la clasificación electromagnética para el ordenador o el dispositivo, consulte las siguientes secciones específicas para cada agencia reguladora. Cada sección proporciona el EMI/EMC específico de cada país o información de seguridad del producto.

Conformidad con ENERGY STAR®

Algunas configuraciones de los ordenadores Dell™ cumplen los requisitos establecidos por la EPA (Environmental Protection Agency, Agencia de protección medioambiental) para los ordenadores que ahorran energía. Si en la parte frontal del ordenador puede ver el emblema ENERGY STAR®, su configuración original cumple estos requisitos y todas las características de administración de energía de ENERGY STAR® del ordenador están activadas.

NOTA: Todos los ordenadores Dell en los que se vea el emblema ENERGY STAR® tienen la certificación de cumplimiento de los requisitos EPA ENERGY STAR® siempre que se mantenga la configuración de fábrica de Dell. Cualquier cambio que realice en la configuración del ordenador (como instalar tarjetas de expansión o unidades adicionales) podría incrementar el consumo de energía del ordenador superando los límites establecidos en el programa de los ordenadores ENERGY STAR® de la EPA.



El programa para ordenadores ENERGY STAR® de la EPA es un proyecto conjunto entre la EPA y los fabricantes de ordenadores para reducir la contaminación del aire mediante la promoción de productos que ahorran energía. La EPA calcula que el uso de ordenadores ENERGY STAR® puede ahorrar a los usuarios hasta dos mil millones de dólares al año en costos eléctricos. Además, esta reducción en el consumo eléctrico puede disminuir las emisiones de dióxido de carbono, responsable principal del efecto invernadero, así como de dióxido de azufre y de los óxidos de nitrógeno, principales causantes de la lluvia ácida.

También puede ayudar a reducir el uso eléctrico y sus efectos colaterales apagando el ordenador cuando no lo vaya a utilizar durante un período largo de tiempo, principalmente durante la noche o fines de semana.

Información de la NOM (sólo para México)

La información siguiente se proporciona en el dispositivo o dispositivos descritos en este documento, en cumplimiento con los requisitos de la Norma Oficial Mexicana (NOM)

Exportador:	Dell Computer Corporation One Dell Way Round Rock, TX 78682
Importador:	Dell Computer de México, S.A. de C.V. Paseo de la Reforma 2620 - 11° Piso Col. Lomas Altas 11950 México, D.F.
Enviar a:	Dell Computer de México, S.A. de C.V. al Cuidado de Kuehne & Nagel de México S. de R.I. Avenida Soles No. 55 Col. Peñón de los Baños 15520 México, D.F.
Número de modelo:	SQC-Q10
Voltaje de entrada de alimentación:	100 - 240 V de CA
Frecuencia:	50 -60 Hz
Consumo eléctrico:	1,2 A
Voltaje de salida:	20 V de CC
Corriente de salida:	2,5 A

Garantía limitada y política de devoluciones

Dell Computer Corporation ("Dell") fabrica sus productos de hardware a partir de piezas y componentes nuevos o equivalentes a nuevos, de acuerdo con las prácticas habituales en el sector. Si desea obtener información sobre la garantía limitada Dell de su ordenador, consulte la *Guía de información del sistema*.



Printed in the U.S.A.
Imprimé aux États-Unis.
Impreso nos Estados Unidos.
Impreso en los EE.UU.



04N135A02

P/N 4N135 Rev. A02

